
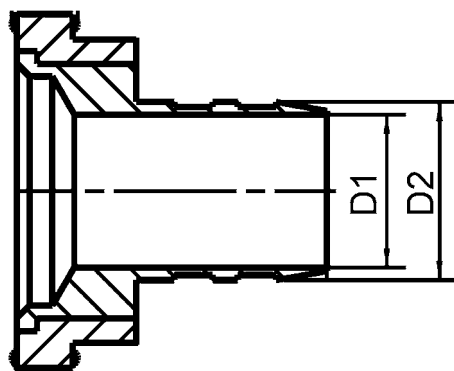

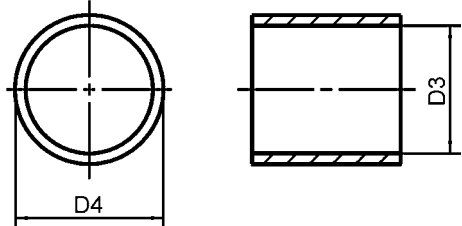

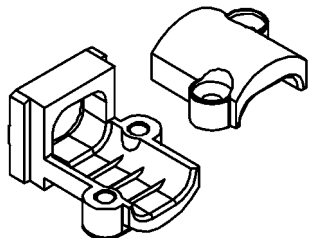




Identification	D1	D2	Part number	Drawing Dimensions in mm
<p data-bbox="119 607 263 645">Crimp flange</p>  <p data-bbox="119 817 462 918">HARTING offers to test and define the best crimp flange and ferrule combination for customer specific cables.</p>	<p data-bbox="486 607 566 929">3 mm 4 mm 5 mm 6 mm 7 mm 8 mm 9 mm 3.5 mm 4.5 mm 5.5 mm 6.5 mm 7.5 mm 8.5 mm</p>	<p data-bbox="651 607 730 929">4 mm 5 mm 6 mm 7 mm 8 mm 9 mm 10 mm 4 mm 5.5 mm 6.5 mm 7.5 mm 8.5 mm 9.5 mm</p>	<p data-bbox="810 607 970 929">61 03 000 0062 61 03 000 0064 61 03 000 0066 61 03 000 0067 61 03 000 0069 61 03 000 0071 61 03 000 0072 61 03 000 0063 61 03 000 0065 61 03 000 0166 61 03 000 0068 61 03 000 0070 61 03 000 0165</p>	

Han-Modular

Han-Modular

Identification	D3	D4	Part number	Drawing Dimensions in mm
<p>Crimp ferrule</p>  <p>HARTING offers to test and define the best crimp flange and ferrule combination for customer specific cables.</p>	5 mm 6 mm 7 mm 8 mm 9 mm 10 mm 11 mm 12 mm 13 mm 5.5 mm 6.5 mm 7.5 mm 8.5 mm 9.5 mm 10.5 mm 11.5 mm 12.5 mm	6 mm 7 mm 8 mm 9 mm 10 mm 11 mm 12 mm 13 mm 14 mm 6.5 mm 7.5 mm 8.5 mm 9.5 mm 10.5 mm 11.5 mm 12.5 mm 13.5 mm	61 03 000 0045 61 03 000 0047 61 03 000 0049 61 03 000 0051 61 03 000 0053 61 03 000 0055 61 03 000 0057 61 03 000 0142 61 03 000 0127 61 03 000 0046 61 03 000 0048 61 03 000 0050 61 03 000 0052 61 03 000 0054 61 03 000 0056 61 03 000 0058 61 03 000 0059	
<p>Cable clamp 5 mm ... 7 mm</p> 			61 03 000 0141	
<p>Cable clamp 7 mm ... 10 mm</p> 			61 03 000 0044	
<p>Cable clamp 10 mm ... 12 mm</p> 			61 03 000 0143	