

Features

- Pre-leading grounding system according VDE
- Modules can only be assembled polarized
- Alphabetical marking of module position
- High mechanical reliability of modules in case of vibration and impact stress
- No tools necessary to remove modules
- Hinged frames can be used either in hood or housing

Technical characteristics

Limiting temperatures	-40 °C ... 125 °C
Mating cycles	≥500
Mating cycles with HMC connectors	≥10000
Material (hoods/housings)	zinc die-cast

Specifications and approvals

IEC 60664-1
IEC 61984



Details

Both different markings must be used for one connector!

Locking element 09 14 000 9960 see accessories in chapter 06

Wire gauge PE (power side) 4 ... 10 mm²

10 mm² only with ferrule crimp tool 09 99 000 0374 (see chapter 90)

Wire gauge PE (signal side) 1 ... 2.5 mm²

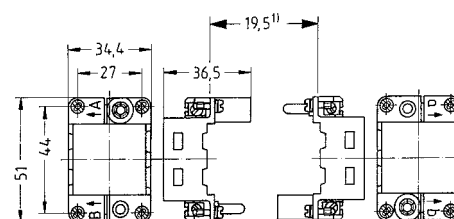


Identification	Part number	Drawing Dimensions in mm
----------------	-------------	-----------------------------

Han-Modular®,
Hinged frame,
for 2 modules,
A ... B



09 14 006 0303

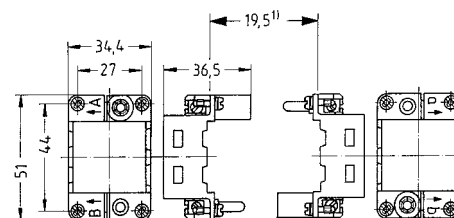


1) Distance max. 20.5 mm

Han-Modular®,
Hinged frame,
for 2 modules,
a ... b



09 14 006 0313



1) Distance max. 20.5 mm

Han-Modular®,
Hinged frame HMC,
for 2 modules,
A ... B



09 14 206 0303

Only with Han® Docking frame.

Han-Modular®,
Hinged frame HMC,
for 2 modules,
a ... b



09 14 206 0313

Only with Han® Docking frame.

Han-Modular



Han-Modular

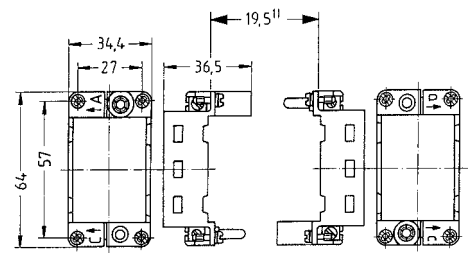
Identification

Part number

Drawing
Dimensions in mm

Han-Modular®,
Hinged frame,
for 3 modules,
A ... C

09 14 010 0303



1) Distance max. 20.5 mm

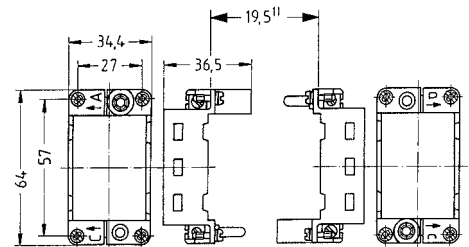
Han-Modular®,
Hinged frame,
for 3 modules,
a ... c

09 14 010 0313



Han-Modular®,
Hinged frame HMC,
for 3 modules,
A ... C

09 14 210 0303



1) Distance max. 20.5 mm

Han-Modular®,
Hinged frame HMC,
for 3 modules,
a ... c

09 14 210 0313





Identification	Part number	Drawing Dimensions in mm
Han-Modular®, Hinged frame, for 4 modules, A ... D	09 14 016 0303	<p>1) Distance max. 20.5 mm</p>
Han-Modular®, Hinged frame, for 4 modules, a ... d	09 14 016 0313	<p>1) Distance max. 20.5 mm</p>
Han-Modular®, Hinged frame HMC, for 4 modules, A ... D	09 14 216 0303	<p>1) Distance max. 20.5 mm</p>
Han-Modular®, Hinged frame HMC, for 4 modules, a ... d	09 14 216 0313	<p>1) Distance max. 20.5 mm</p>

Han-Modular



Han-Modular

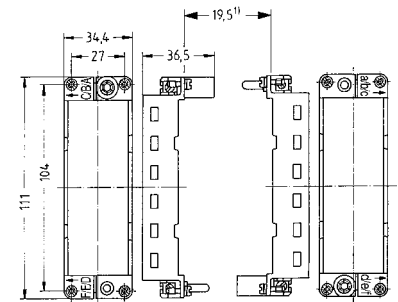
Identification

Part number

Drawing
Dimensions in mm

Han-Modular®,
Hinged frame,
for 6 modules,
A ... F

09 14 024 0303



1) Distance max. 20.5 mm

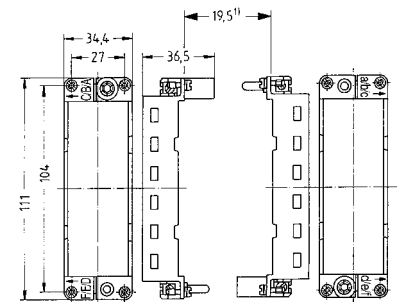
Han-Modular®,
Hinged frame,
for 6 modules,
a ... f

09 14 024 0313



Han-Modular®,
Hinged frame HMC,
for 6 modules,
A ... F

09 14 224 0303



1) Distance max. 20.5 mm

Han-Modular®,
Hinged frame HMC,
for 6 modules,
a ... f

09 14 224 0313

