

## Features

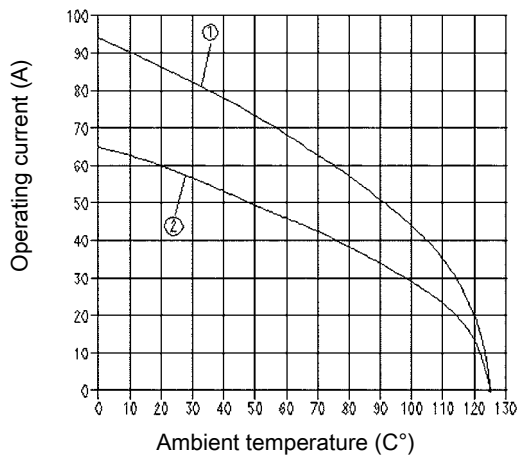
- Robust housing
- Compact design saves space
- Modular structure increases flexibility
- Simple and quick assembly
- Two-part housing

## Derating

### Current carrying capacity

The current carrying capacity of the connectors is limited by the thermal load capability of the contact element material including the connections and the insulating parts. The derating curve is therefore valid for currents which flow constantly (non-intermittent) through each contact element of the connector evenly, without exceeding the allowed maximum temperature.

Measuring and testing techniques acc. to IEC 60512-5-2

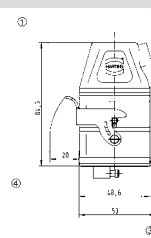


- ① Han® 40 A Axial module Wire cross section 10 mm<sup>2</sup>
- ② Han® C module Wire cross section 6 mm<sup>2</sup>

## Technical characteristics


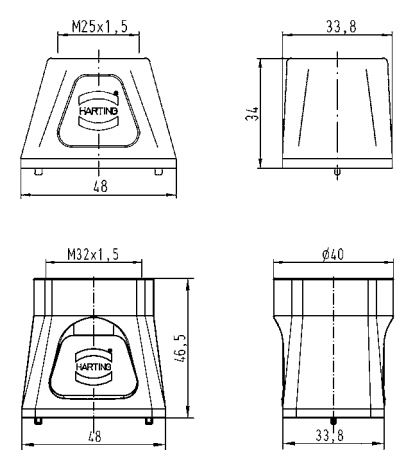

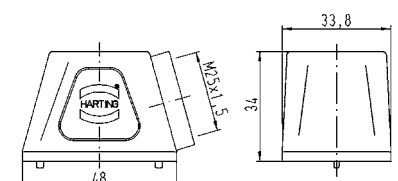

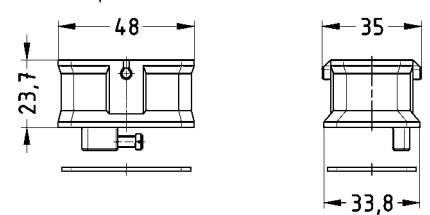

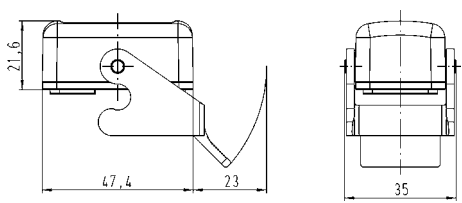
Limiting temperatures	-40 °C ... 125 °C
Flammability (hoods/housings) acc. to UL 94	V 0
Mating cycles	≥500
Tightening torque	1 Nm
Degree of protection acc. to IEC 60529	IP65 in locked position
Material (hoods/housings)	zinc die-cast
Surface (hoods/housings)	nickel plated
Material (locking lever)	stainless steel
Material (seal)	NBR
Material (screwing)	stainless steel


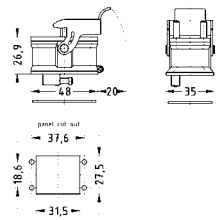

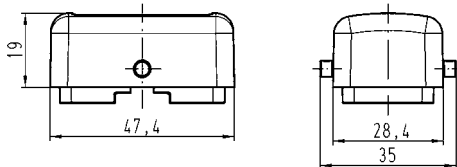

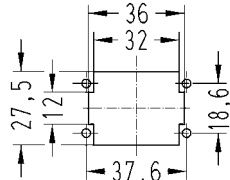
## Details



- ① Hood with side entry
- ② Cable entry M25
- ③ Bulkhead mounted housing with locking lever
- ④ Carrier hood

Han-Modular

Identification	Cable entry	Part number	Drawing Dimensions in mm
<p>Han-Modular® Compact, Hoods, top entry</p> <p>Range of delivery: 4 screws are included in the delivery range</p> 	<p>1xM25 1xM32</p>	<p>19 14 001 0401 19 14 001 0402</p>	
<p>Han-Modular® Compact, Hoods, side entry</p> <p>Range of delivery: 4 screws are included in the delivery range</p> 	<p>1xM25</p>	<p>19 14 001 0501</p>	
<p>Han-Modular® Compact, Carrier hood</p> 		<p>09 14 001 0311</p>	 <p>Wire cross section PE contact 10 mm<sup>2</sup> Stripping length 10 mm Tightening torque 1 Nm</p>
<p>Han-Modular® Compact, Protection covers for carrier hoods, plastic</p> 		<p>09 14 001 5402</p>	

Identification	Part number	Drawing Dimensions in mm
<p>Han-Modular® Compact, Bulkhead mounted housings</p> 	<p>09 14 001 0301</p>	 <p>Wire cross section PE contact 10 mm<sup>2</sup> Stripping length 10 mm Tightening torque 1 Nm</p>
<p>Han-Modular® Compact, Protection cover for bulkhead mounted housings, plastic</p> 	<p>09 14 001 5401</p>	
<p>Han-Modular® Compact, Fixing bracket</p> 	<p>09 14 000 9947</p>	<p>Panel cut out</p> 

Han-Modular

Identification	Part number	Drawing Dimensions in mm
Coding element, 1 (red)	09 14 000 9971	
Coding element, 2 (blue)	09 14 000 9972	
Coding element, 3 (black)	09 14 000 9973	
Coding element, 4 (yellow)	09 14 000 9974	