

## Features

- Metal hoods/housings for industrial applications
- with glued seal

## Technical characteristics

Limiting temperatures	-40 °C ... 125 °C
Flammability (hoods/housings) acc. to UL 94	V 0
Flammability (locking lever) acc. to UL 94	V 0
Flammability (seal) acc. to UL 94	V 0
Protection class acc. to UL 50	NEMA type 4/4X/12
Degree of protection acc. to IEC 60529	IP44 / IP67 is achieved with seal screw 09 20 000 9918
Material (hoods/housings)	zinc die-cast
Surface (hoods/housings)	powder-coated
Colour (hoods/housings)	RAL 7037 (grey)
Material (locking lever)	steel, zinc-plated
Material (seal)	NBR


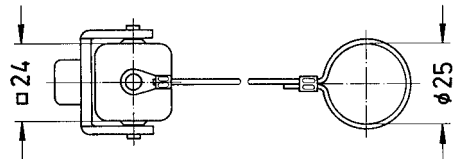

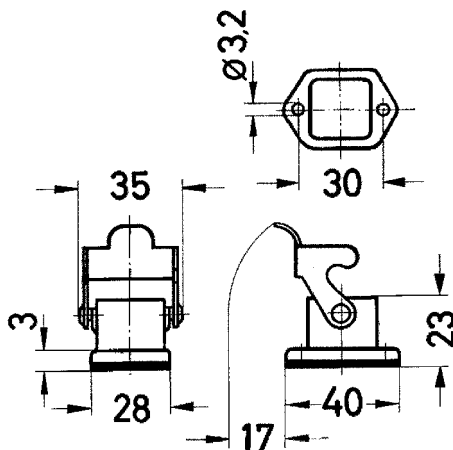

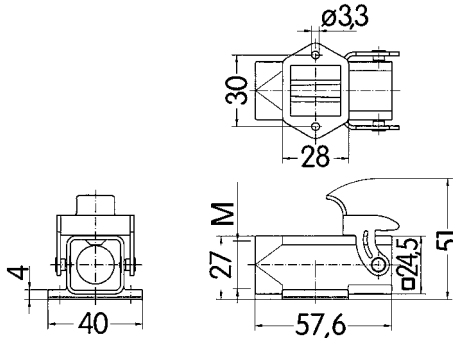

## Specifications and approvals




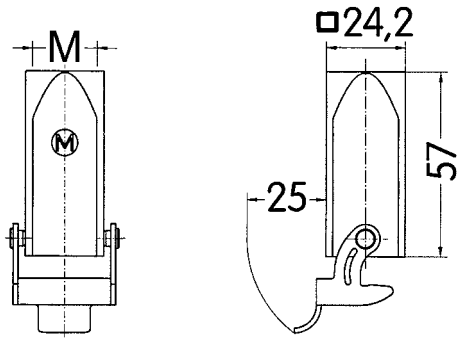

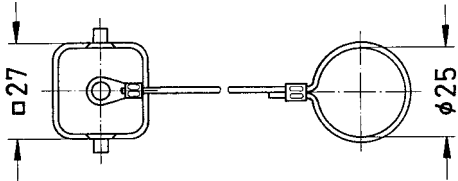

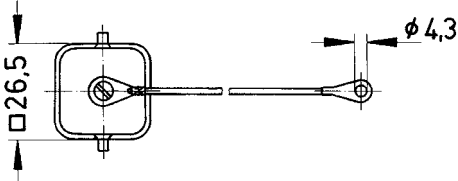

Metal hoods/housings for industrial applications  
double locking lever

Identification	Cable entry	Part number	Drawing Dimensions in mm
Han A® , Hoods, for Han-Brid®, top entry, with glued sealing	1xM20	19 20 003 1443	
Han A® , Hoods, for Han-Brid®, side entry, with glued sealing	1xM20	19 20 003 1643	
Han A® , Hood with integrated cable gland, for Han-Brid®, top entry, with glued sealing	6...12 mm	19 20 003 1423	
Han A® , Hood with integrated cable gland, top entry, with glued sealing	6...12 mm	19 20 003 1425	

Han-Brid

Identification	Cable entry	Part number	Drawing Dimensions in mm
<p>Han A®, Protection cover for hoods, for mounted male insert or for mounted Han-Brid® insert, metal, with securing flex</p> 		09 20 003 5422	
<p>Han A®, Bulkhead mounted housings, straight</p> 		09 20 003 0301	 <p>Panel cut out 22 x 22 mm</p>
<p>Han A®, Surface mounted housings, top entry, open bottom</p> 	1xM20	19 20 003 1250	 <p>Panel cut out 22 x 22 mm</p>
<p>Han A®, Surface mounted housings, top entry, bottom closed</p> 	1xM20	19 20 003 1252	

Han-Brid

Identification	Cable entry	Part number	Drawing Dimensions in mm
Han A®, Cable to cable housings, top entry 	1xM20	19 20 003 1750	
Han A®, Protection cover for cable to cable housings, for mounted female insert or for mounted Han-Brid® insert, metal, with securing flex, with sealing 		09 20 003 5427	
Han A®, Protection cover for housings, for mounted female insert or for mounted Han-Brid® insert, metal, with securing flex, with sealing 		09 20 003 5425	
Han A®, Screw mounted housings, top entry 	1xM20	19 20 003 1150	