

Features

- Metal hoods/housings for industrial applications

Technical characteristics


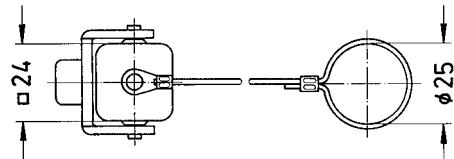

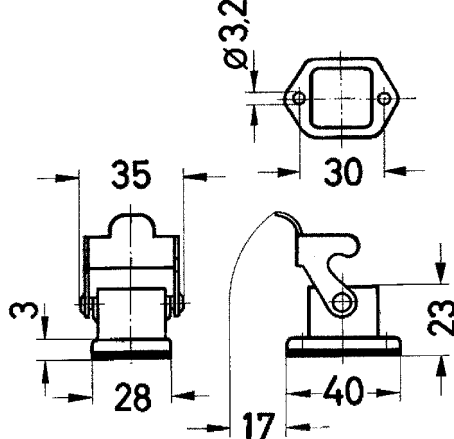

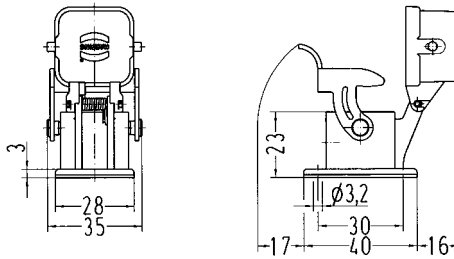

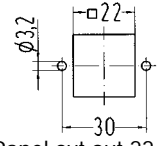
Limiting temperatures	-40 °C ... 125 °C
Degree of protection acc. to IEC 60529	IP44 / IP67 is achieved with seal screw 09 20 000 9918
Material (hoods/housings)	zinc die-cast
Surface (hoods/housings)	powder-coated
Colour (hoods/housings)	RAL 7037 (grey)
Material (locking lever)	steel, zinc-plated
Material (seal)	NBR

Specifications and approvals

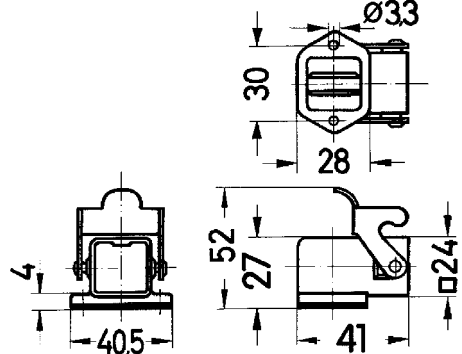
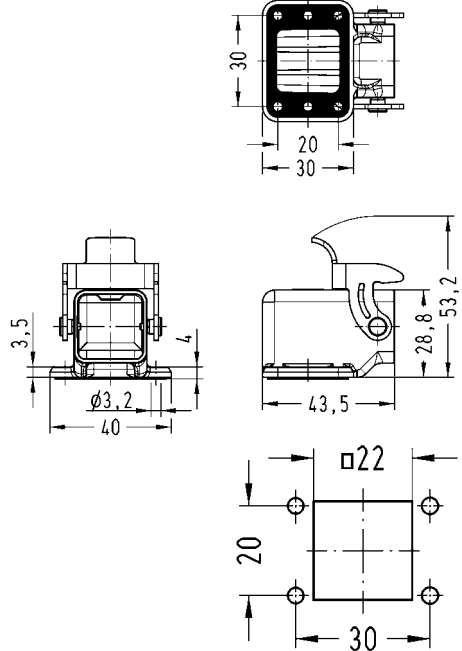
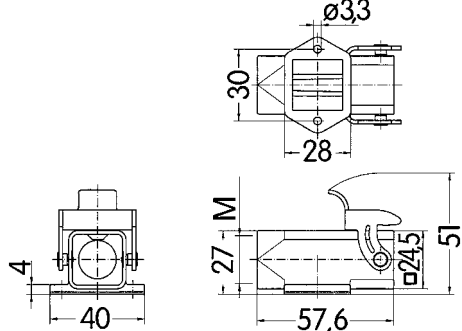




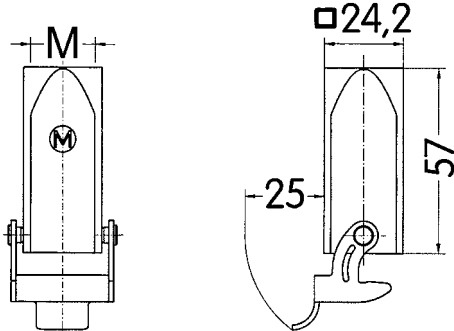


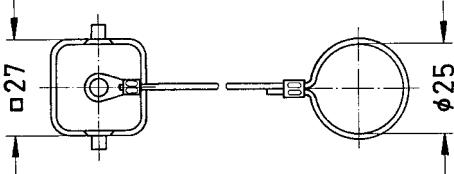
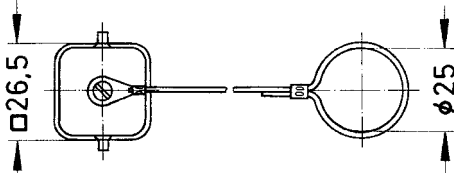
Metal hoods/housings for industrial applications
double locking lever


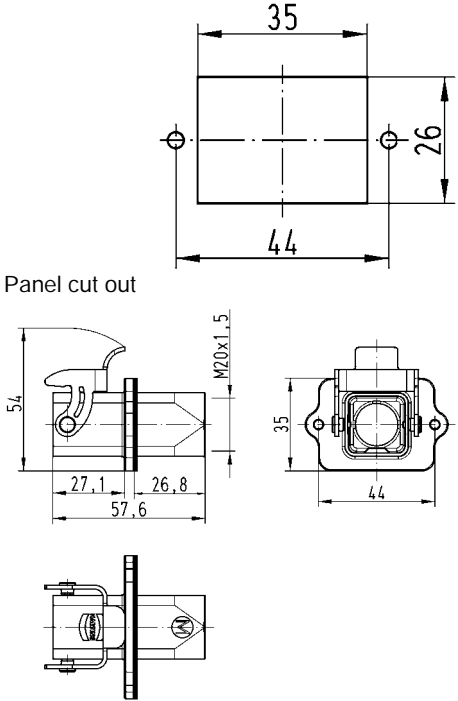


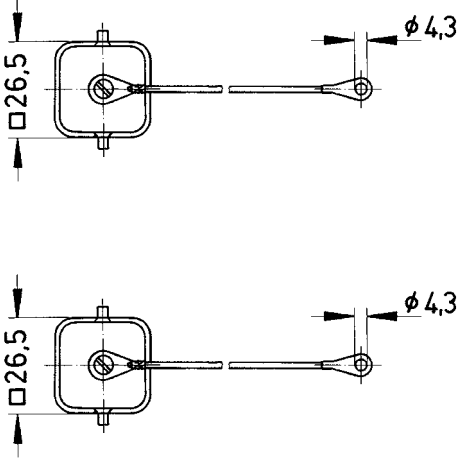

Identification	Cable entry	Part number	Drawing Dimensions in mm
Han A® , Hoods, top entry	1xM20	19 20 003 1440	
Han A® , Hoods, side entry	1xM20	19 20 003 1640	
Han A® , Hood with integrated cable gland, top entry	6...12 mm 11...17 mm	19 20 003 1421 19 20 003 1422	
Han A® , Protection cover for hoods, for mounted female insert, metal, with securing flex, with sealing		09 20 003 5421	

Identification	Cable entry	Part number	Drawing Dimensions in mm
<p>Han A®, Protection cover for hoods, for mounted male insert or for mounted Han-Brid® insert, metal, with securing flex</p> 		09 20 003 5422	
<p>Han A®, Bulkhead mounted housings, straight</p> 		09 20 003 0301	 <p>Panel cut out 22 x 22 mm</p>
<p>Han A®, Bulkhead mounted housings, straight, with metal cover, for male inserts</p> 		09 20 003 0305	 <p>Panel cut out 22 x 22 mm</p>
<p>Han A®, Bulkhead mounted housings, straight, with sealing, for female inserts</p> 		09 20 003 0306	 <p>Panel cut out 22 x 22 mm</p>

Hoods
Housings

Identification	Cable entry	Part number	Drawing Dimensions in mm
Han A® , Bulkhead mounted housings, angled, 2 fixing screws		09 20 003 0801	 <p>Panel cut out 22 x 22 mm</p>
Han A® , Bulkhead mounted housings, angled, 4 fixing screws		09 20 003 0810	 <p>Panel cut out 22 x 22 mm</p>
Han A® , Surface mounted housings, top entry, open bottom	1xM20	19 20 003 1250	 <p>Panel cut out 22 x 22 mm</p>

Identification	Cable entry	Part number	Drawing Dimensions in mm
<p>Han A[®], Surface mounted housings, top entry, bottom closed</p> 	1xM20	19 20 003 1252	
<p>Han A[®], Cable to cable housings, top entry</p> 	1xM20	19 20 003 1750	
<p>Han A[®], Protection cover for cable to cable housings, for mounted female insert or for mounted Han-Brid[®] insert, metal, with securing flex, with sealing</p>  <p>Han A[®], Protection cover for cable to cable housings, metal, with securing flex</p> 		<p>09 20 003 5427</p> <p>09 20 003 5428</p>	 

Identification	Cable entry	Part number	Drawing Dimensions in mm
<p>Han A®, Panel feed through housings, top entry</p> 	1xM20	19 20 003 1120	 <p>Panel cut out</p>
<p>Han A®, Protection cover for housings, for mounted female insert or for mounted Han-Brid® insert, metal, with securing flex, with sealing</p>  <p>Han A®, Protection cover for housings, for mounted male insert, metal, with securing flex</p> 		<p>09 20 003 5425</p> <p>09 20 003 5426</p>	
<p>Han A®, Screw mounted housings, top entry</p> 	1xM20	19 20 003 1150	