

Features

- Plastic hoods/housings for industrial applications


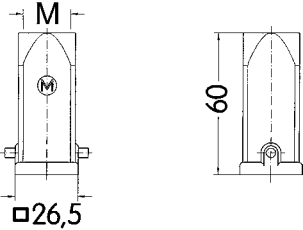

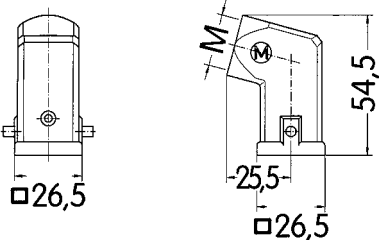

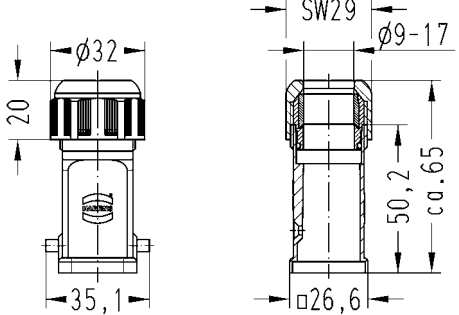
Technical characteristics

Limiting temperatures	-40 °C ... 125 °C
Flammability (hoods/housings) acc. to UL 94	V 0
Flammability (locking lever) acc. to UL 94	V 0
Protection class acc. to UL 50	NEMA type 4/4X/12
Degree of protection acc. to IEC 60529	IP44 / IP67 is achieved with seal screw 09 20 000 9918
Material (hoods/housings)	polycarbonate
Colour (hoods/housings)	RAL 7032 (light grey), RAL 9005 (black)
Material (locking lever)	polyamide
Colour (locking lever)	RAL 7032 (light grey), RAL 9005 (black)
Material (seal)	NBR

Specifications and approvals


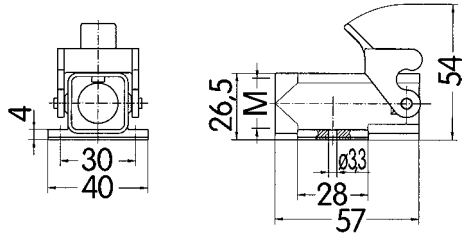


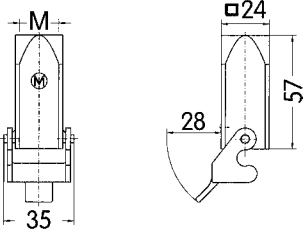


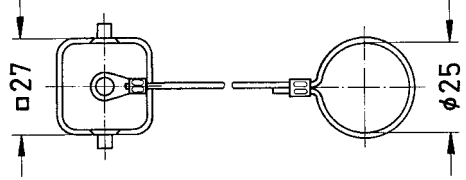

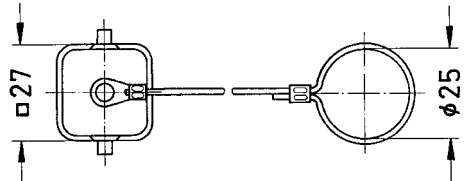


Plastic hoods/housings for industrial applications
double locking lever


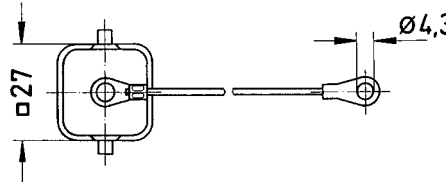


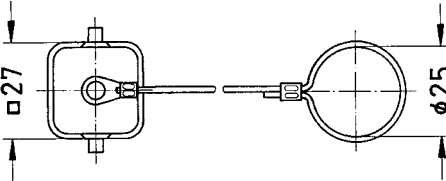


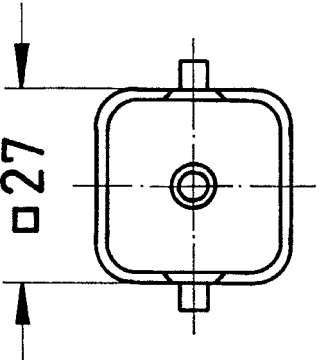
Identification	Cable entry	Part number	Drawing Dimensions in mm
Han A® , Hoods, top entry 	1xM20	19 20 003 0420	
Han A® , Hoods, top entry, black	1xM20	19 20 003 0427	
Han A® , Hoods, side entry 	1xM20	19 20 003 0620	
Han A® , Hoods, side entry, black	1xM20	19 20 003 0627	
Han A® , Hood with integrated cable gland, top entry 		19 20 003 0410	
Han A® , Hood with integrated cable gland, top entry, black		19 20 003 0418	



Identification	Cable entry	Part number	Drawing Dimensions in mm
Han A®, Protection cover for hoods, for mounted female insert or for mounted Han-Brid® insert, plastic, with securing flex, with sealing		09 20 003 5441	
Han A®, Protection cover for hoods, for mounted male insert or for mounted Han-Brid® insert, plastic, with securing flex		09 20 003 5442	
Han A®, Bulkhead mounted housings, straight		09 20 003 0320	<p>Panel cut out 22 x 22 mm</p>
Han A®, Bulkhead mounted housings, angled		09 20 003 0820	<p>Panel cut out 22 x 22 mm</p>
Han A®, Bulkhead mounted housings, straight, black		09 20 003 0327	
Han A®, Bulkhead mounted housings, angled, black		09 20 003 0827	

Hoods
Housings

Identification	Cable entry	Part number	Drawing Dimensions in mm
Han A® , Surface mounted housings, top entry 	1xM20	19 20 003 0220	 <p>Panel cut out 22 x 22 mm</p>
Han A® , Surface mounted housings, top entry, black 	1xM20	19 20 003 0227	
Han A® , Cable to cable housings, top entry 	1xM20	19 20 003 0720	
Han A® , Cable to cable housings, top entry, black 	1xM20	19 20 003 0727	
Han A® , Protection cover for cable to cable hous- ings, for mounted female insert, plastic, with sealing, with securing flex 		09 20 003 5447	
Han A® , Protection cover for cable to cable hous- ings, for mounted male insert, plastic, with securing flex 		09 20 003 5448	



Identification	Cable entry	Part number	Drawing Dimensions in mm
<p>Han A®, Protection cover for housings, for mounted female insert, plastic, with sealing, with securing flex</p> 		09 20 003 5445	
<p>Han A®, Protection cover for housings, for mounted male insert, plastic, with securing flex</p> 		09 20 003 5446	
<p>Han A®, Protection cover for housings, for mounted female insert, plastic, with sealing, with securing flex, black</p> 		09 20 003 5449	
<p>Han A®, Protection cover for housings, for mounted male insert, plastic, with securing flex, black</p> 		09 20 003 5450	
<p>Han A®, Protection cover for housings, plastic</p> 		09 20 003 5407	

Identification	Cable entry	Part number	Drawing Dimensions in mm
<p>Han A®, Protection cover for housings, for mounted female insert or for mounted Han-Brid® insert, plastic, with sealing</p> 		09 20 003 5408	
<p>Han A®, Protection cover, for mounted female insert or for mounted Han-Brid® insert, plastic, with sealing, black</p> 		09 20 003 5409	