

Features

- Metal hoods/housings for industrial applications
- Locking levers: Han-Easy Lock®
- **Field of application:** for excellent mechanical and electrical protection in demanding environments, for example, in the automobile and mechanical engineering industries also for process and regulation control applications
- **Distinguishing feature:** hoods/housings colour-coded grey (RAL 7037)


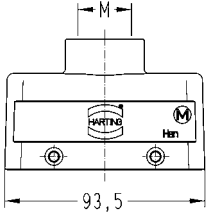
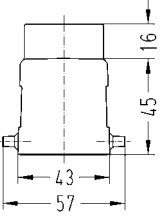

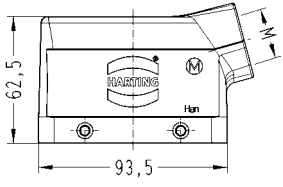
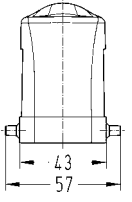

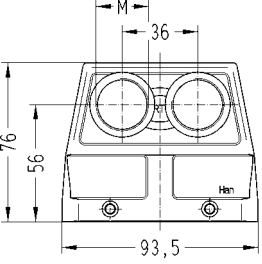
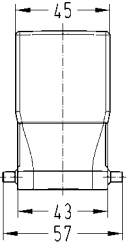
Technical characteristics

Limiting temperatures	-40 °C ... 125 °C
Flammability (locking lever) acc. to UL 94	V 0
Protection class acc. to UL 50	NEMA type 4/4X/12
Degree of protection acc. to IEC 60529	IP65, IP65 / IP67
Material (hoods/housings)	aluminium, polycarbonate
Surface (hoods/housings)	powder-coated
Colour (hoods/housings)	RAL 7037 (grey)
Material (locking lever)	polycarbonate + stainless steel, stainless steel
Colour (locking lever)	RAL 7037 (grey)
Material (seal)	NBR

Specifications and approvals


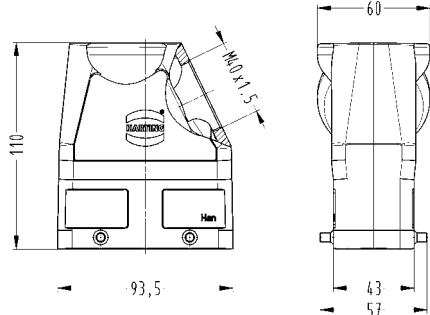
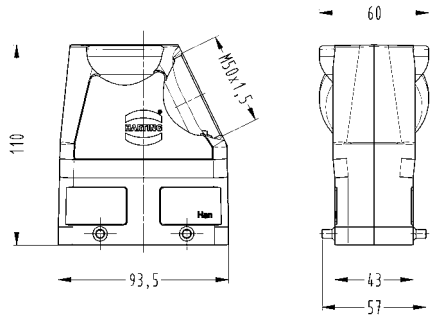

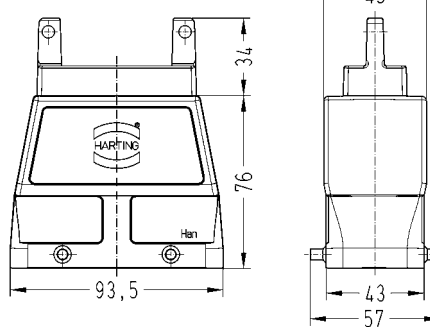

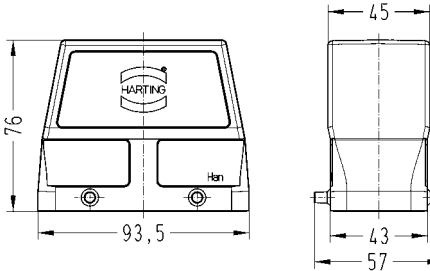


double locking lever


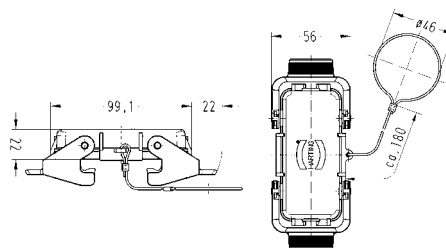

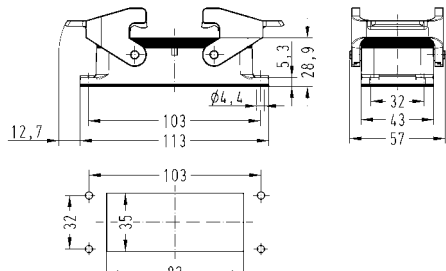

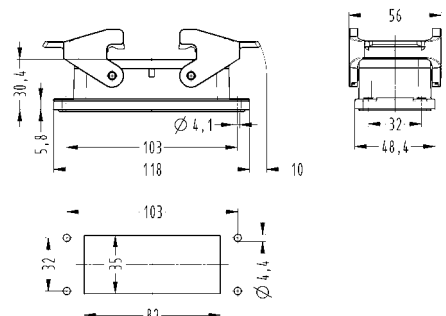

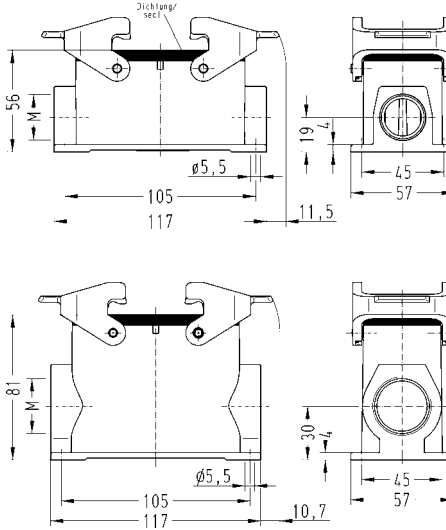
Identification	Cable entry	Part number		Drawing Dimensions in mm	
		Low construction	High construction		
Han® B, Hoods, top entry 	1xM25 1xM32 1xM40 2xM25	19 30 016 1421 19 30 016 1422	19 30 016 0427 19 30 016 0428 19 30 016 0466	 	
Han® B, Hoods, side entry 	1xM25 1xM32 1xM40	19 30 016 1521 19 30 016 1522	19 30 016 0527 19 30 016 0528	 	
Han® B, Hoods, angled entry 	2xM25		19 30 016 0666	 	

Hoods
Housings


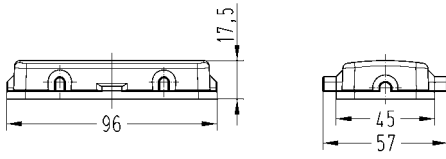

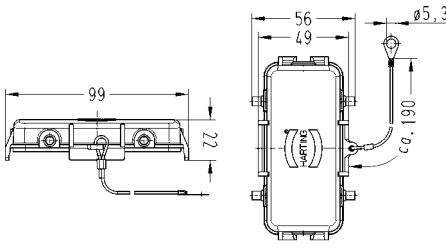

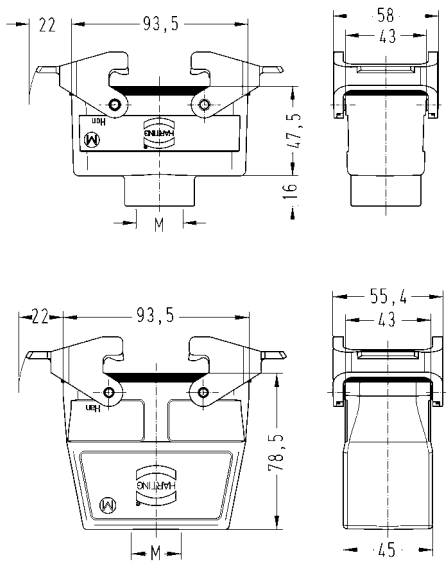

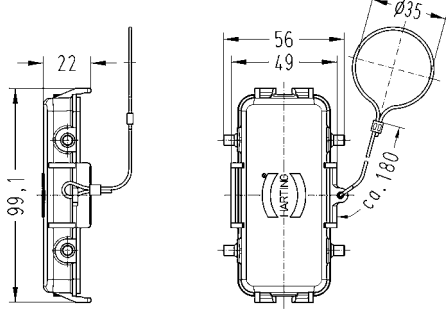



Identification	Cable entry	Part number		Drawing Dimensions in mm
		Low construction	High construction	
Han® B, Hoods, side entry, special type 	1xM40 1xM50		19 30 016 0523 19 30 016 0529	 
Han® B, Hoods, flat cable entry 			09 30 016 4411	
Han® B, Hoods, without cable entry 			09 30 016 0801	


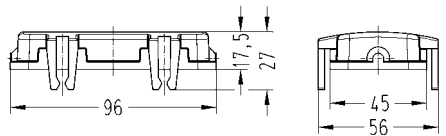
Hoods
Housings

Identification	Cable entry	Part number		Drawing Dimensions in mm
		Low construction	High construction	
Han® B, Protection cover for hoods, metal, Han-Easy Lock®, with securing flex 		09 30 016 5422	09 30 016 5422	
Han® B, Bulkhead mounted housings, Han-Easy Lock® 		09 30 016 0301		 <p>Panel cut out</p>
Han® B, Bulkhead mounted housings, Han-Easy Lock®, IP67 		09 30 016 1301		
Han® B, Surface mounted housings, side entry, Han-Easy Lock® 	1xM25 1xM32 2xM25 2xM32 2xM40	19 30 016 1231 19 30 016 1271	19 30 016 0232 19 30 016 0271 19 30 016 0272 19 30 016 0273	


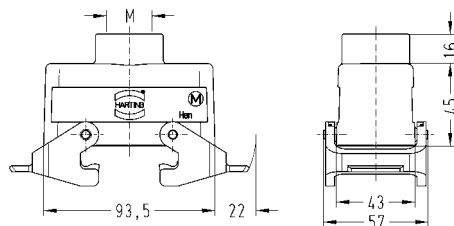
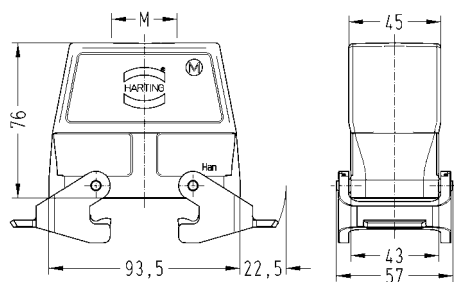

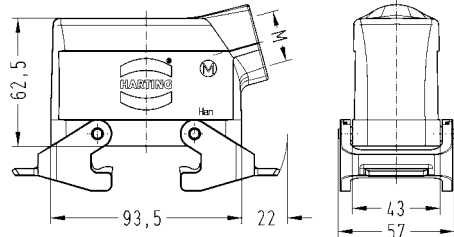
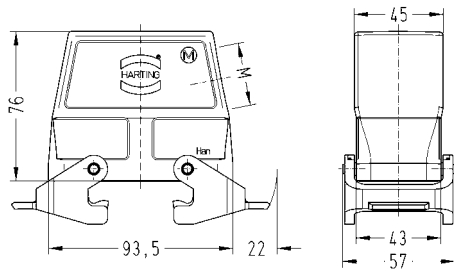
Hoods
Housings

Identification	Cable entry	Part number		Drawing Dimensions in mm
		Low construction	High construction	
Han® B, Cover for housings, plastic 		09 30 016 5405	09 30 016 5405	
Han® B, Cover for housings, metal, with securing flex 		09 30 016 5425	09 30 016 5425	
Han® B, Cable to cable housings, top entry, Han-Easy Lock® 	1xM25 1xM32	19 30 016 1731 19 30 016 1732	19 30 016 0736 19 30 016 0737	
Han® B, Protection cover for cable to cable housings, metal, Han-Easy Lock®, with securing flex 		09 30 016 5426	09 30 016 5426	
Han® B, Dust protection cover, plastic 		09 30 016 5406	09 30 016 5406	

Hoods
Housings


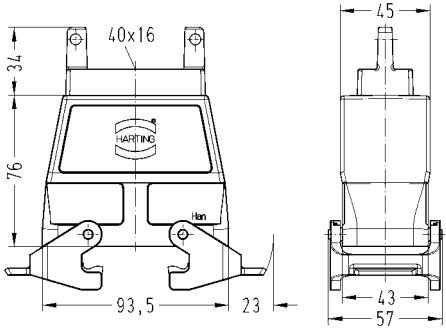

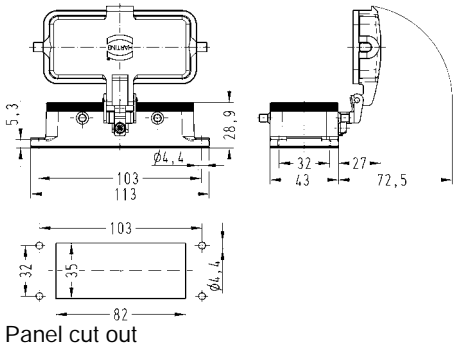

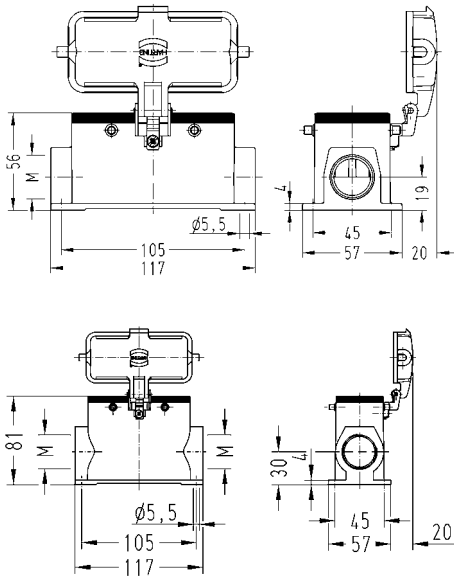
Identification	Cable entry	Part number		Drawing Dimensions in mm
		Low construction	High construction	
Han® B, Protection cover for hoods, plastic, with grounding pins 		09 30 016 5401	09 30 016 5401	

double locking lever

Identification	Cable entry	Part number		Drawing Dimensions in mm	
		Low construction	High construction		
Han® B, Hoods, top entry, Han-Easy Lock® 	1xM25 1xM32 1xM40	19 30 016 1431 19 30 016 1432	19 30 016 0437 19 30 016 0438		
Han® B, Hoods, side entry, Han-Easy Lock® 	1xM25 1xM32 1xM40	19 30 016 1531	19 30 016 0537 19 30 016 0538		


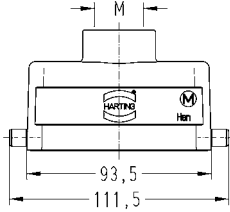
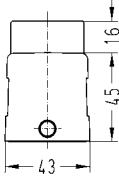

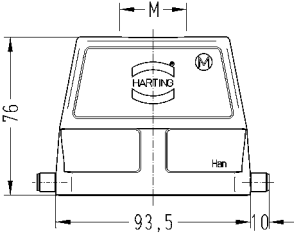
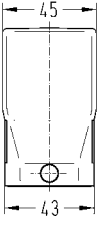

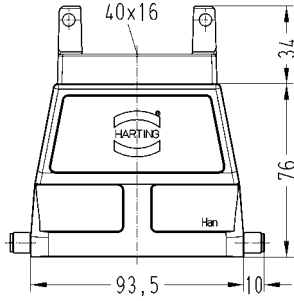
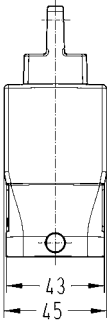
Hoods
Housings




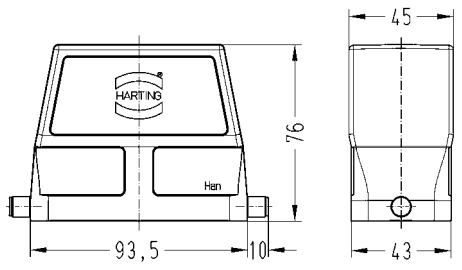

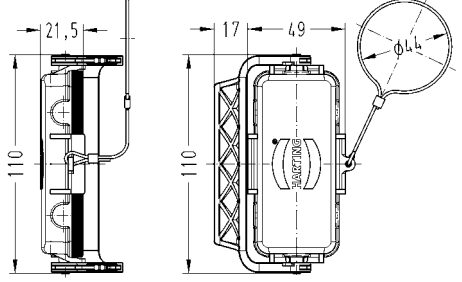

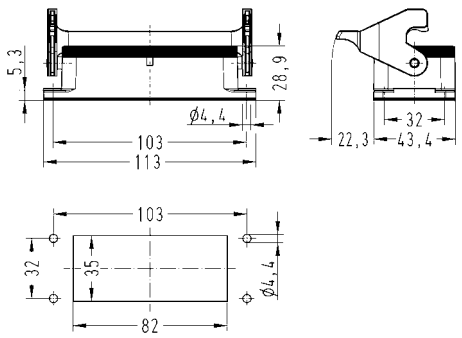

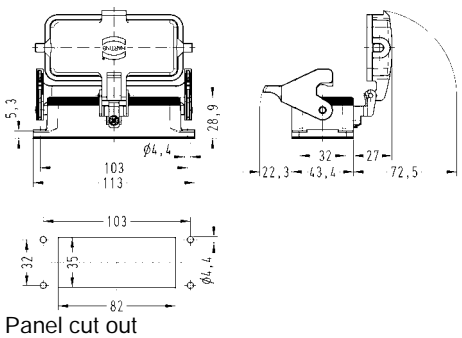
Identification	Cable entry	Part number		Drawing Dimensions in mm
		Low construction	High construction	
Han® B, Hoods, flat cable entry, Han-Easy Lock® 			09 30 016 4431	
Han® B, Bulkhead mounted housings, with thermo-plastic cover 		09 30 016 0302		 <p>Panel cut out</p>
Han® B, Surface mounted housings, side entry, with thermo-plastic cover 	1xM25 2xM25 2xM32	19 30 016 1226 19 30 016 1266	19 30 016 0267	


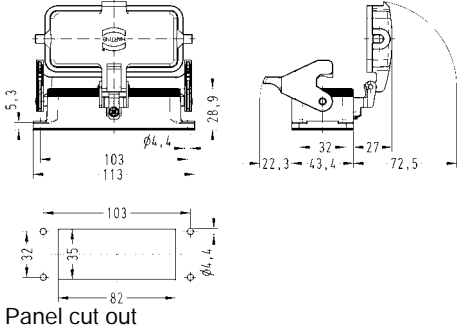

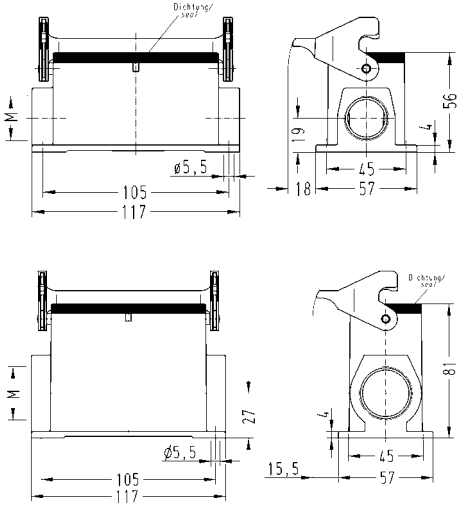

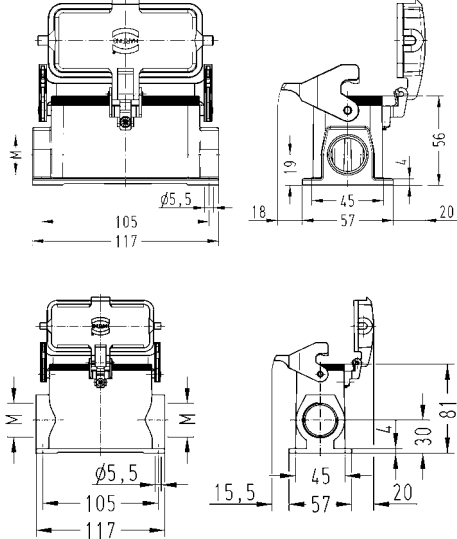


single locking lever


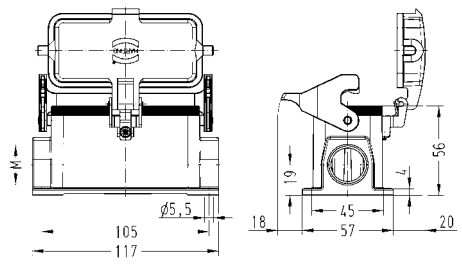
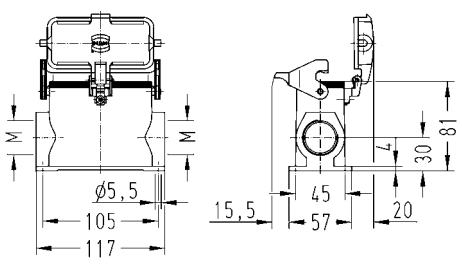

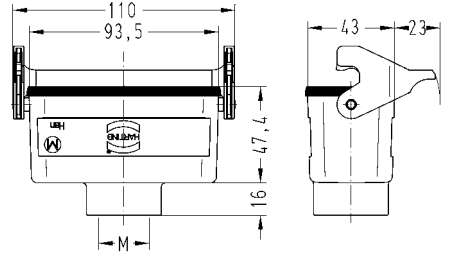
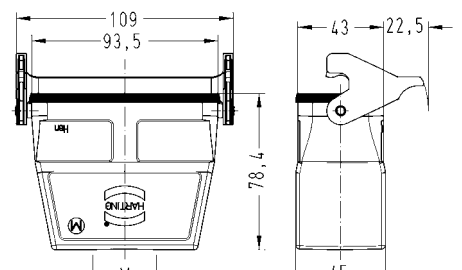
Identification	Cable entry	Part number		Drawing Dimensions in mm	
		Low construction	High construction		
Han® B, Hoods, top entry 	1xM25 1xM32 1xM40	19 30 016 1441 19 30 016 1442	19 30 016 0447 19 30 016 0448		
Han® B, Hoods, side entry 	1xM25 1xM32 1xM40	19 30 016 1541 19 30 016 1542	19 30 016 0547 19 30 016 0548		
Han® B, Hoods, flat cable entry 			09 30 016 4441		

Hoods
Housings

Identification	Cable entry	Part number		Drawing Dimensions in mm
		Low construction	High construction	
Han® B, Hoods, without cable entry 			09 30 016 0803	
Han® B, Protection cover for hoods, metal, Han-Easy Lock® 		09 30 016 5432	09 30 016 5432	
Han® B, Bulkhead mounted housings, Han-Easy Lock® 		09 30 016 0307		 <p>Panel cut out</p>
Han® B, Bulkhead mounted housings, Han-Easy Lock®, with thermo-plastic cover 		09 30 016 0306		 <p>Panel cut out</p>


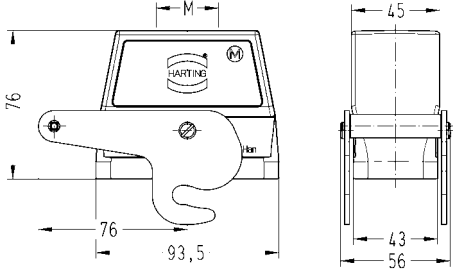

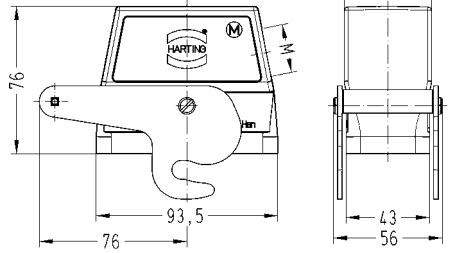

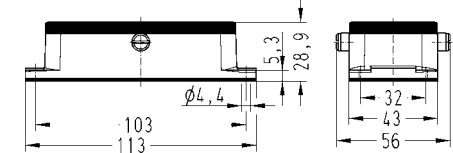
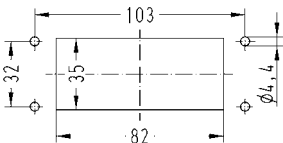

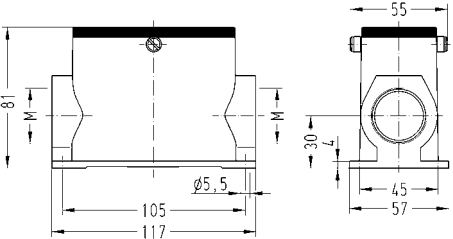
Identification	Cable entry	Part number		Drawing Dimensions in mm
		Low construction	High construction	
Han® B, Bulkhead mounted housings, Han-Easy Lock®, with metal cover 		09 30 016 0318		 <p>Panel cut out</p>
Han® B, Surface mounted housings, side entry, Han-Easy Lock® 	1xM25 1xM32 2xM25 2xM32	19 30 016 1251 19 30 016 1291	19 30 016 0252 19 30 016 0291 19 30 016 0292	
Han® B, Surface mounted housings, side entry, Han-Easy Lock®, with thermo-plastic cover 	1xM25 2xM25 2xM32	19 30 016 1256 19 30 016 1296	19 30 016 0297	

Hoods
Housings

Identification	Cable entry	Part number		Drawing Dimensions in mm
		Low construction	High construction	
Han® B, Surface mounted housings, side entry, Han-Easy Lock®, with metal cover 	2xM25 2xM32	19 30 016 2296	19 30 016 7297	 
Han® B, Cable to cable housings, top entry, Han-Easy Lock® 	1xM25 1xM32	19 30 016 1751 19 30 016 1752	19 30 016 0757	 



central locking lever

Identification	Cable entry	Part number		Drawing Dimensions in mm
		Low construction	High construction	
Han® B, Hoods, top entry 	1xM32		19 30 016 0487	
Han® B, Hoods, side entry 	1xM25 1xM32		19 30 016 0586 19 30 016 0587	
Han® B, Bulkhead mounted housings 		09 30 016 0381		  <p>Panel cut out</p>
Han® B, Surface mounted housings, side entry 	2xM32		19 30 016 0282	

Hoods
Housings