

Features

- Metal hoods/housings for industrial applications
- Locking levers: Han-Easy Lock®
- **Field of application:** for excellent mechanical and electrical protection in demanding environments, for example, in the automobile and mechanical engineering industries also for process and regulation control applications
- **Distinguishing feature:** hoods/housings colour-coded grey (RAL 7037)


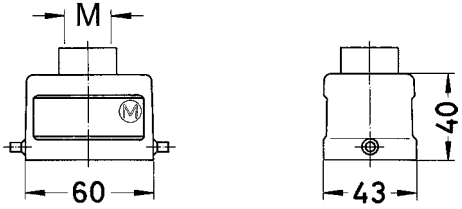

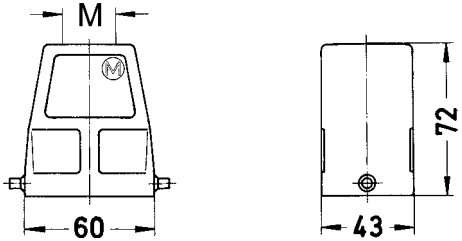

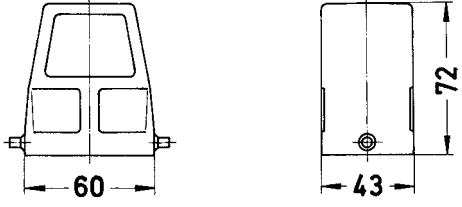
Technical characteristics

Limiting temperatures	-40 °C ... 125 °C
Flammability (locking lever) acc. to UL 94	V 0
Protection class acc. to UL 50	NEMA type 4/4X/12
Degree of protection acc. to IEC 60529	IP65, IP65 / IP67
Material (hoods/housings)	aluminium, polycarbonate
Surface (hoods/housings)	powder-coated
Colour (hoods/housings)	RAL 7037 (grey)
Material (locking lever)	polycarbonate + stainless steel, stainless steel
Colour (locking lever)	RAL 7037 (grey)
Material (seal)	NBR


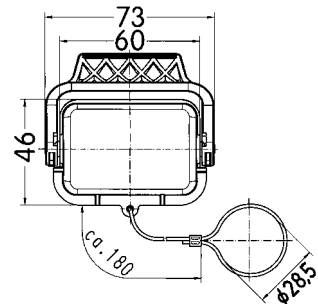

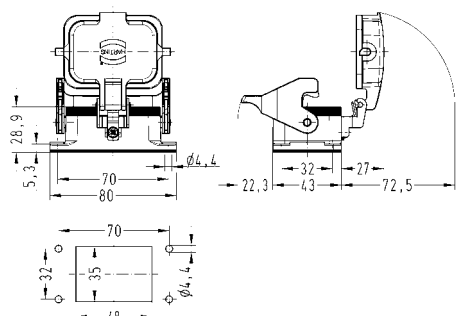

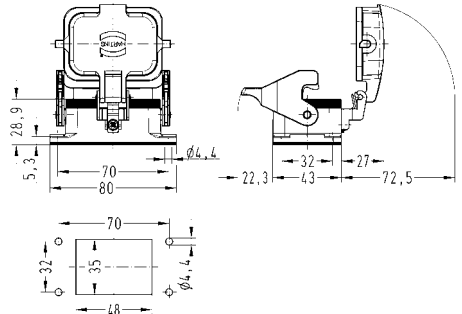

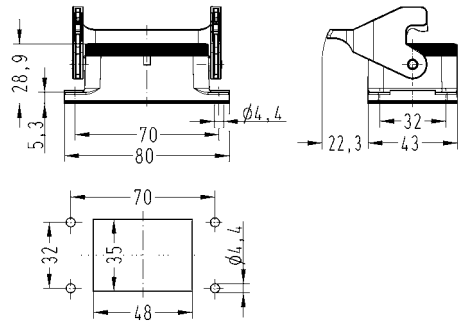
Specifications and approvals




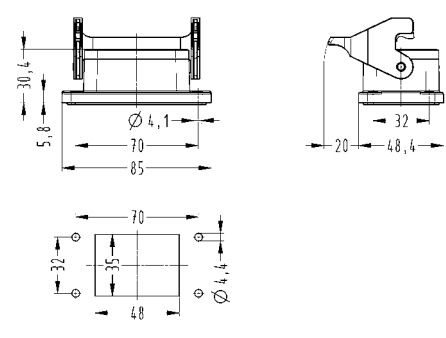

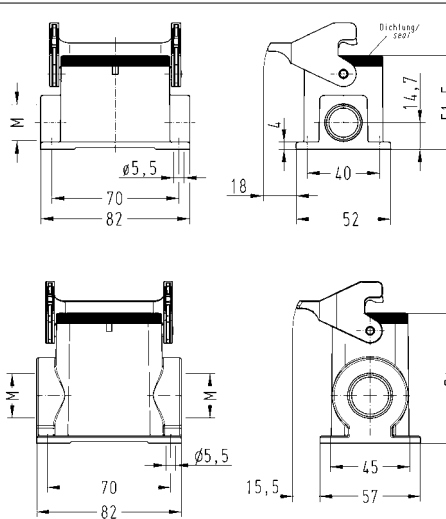

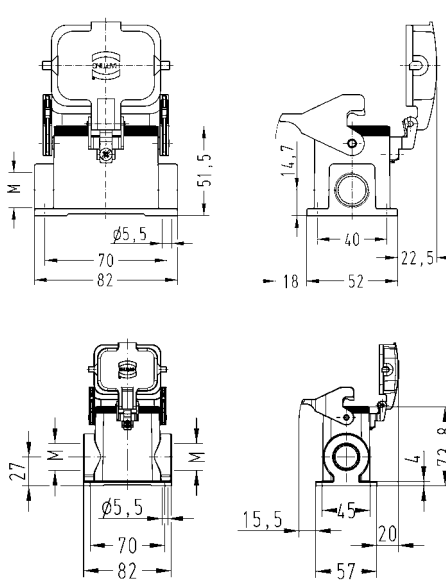
single locking lever

Identification	Cable entry	Part number		Drawing Dimensions in mm	
		Low construction	High construction		
Han® B, Hoods, top entry 	1xM20 1xM25 1xM32	19 30 006 1440	19 30 006 0446 19 30 006 0447		
Han® B, Hoods, side entry 	1xM20 1xM25 1xM32	19 30 006 1540 19 30 006 1541	19 30 006 0546 19 30 006 0547		
Han® B, Hoods, without cable entry 			09 30 006 0801		


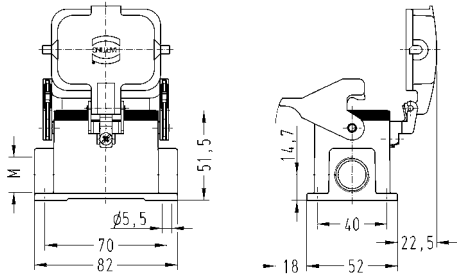
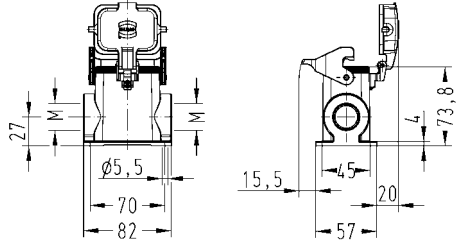

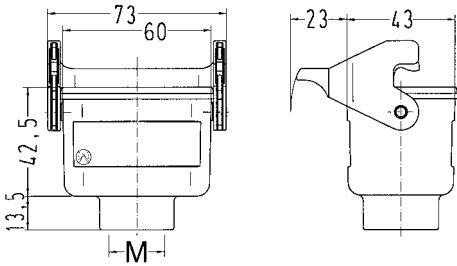

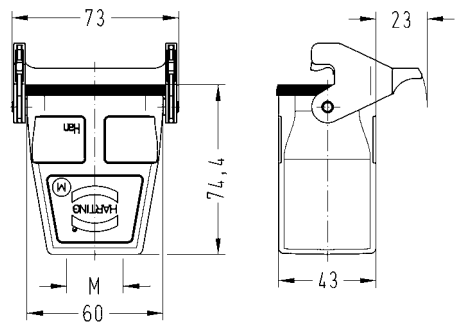

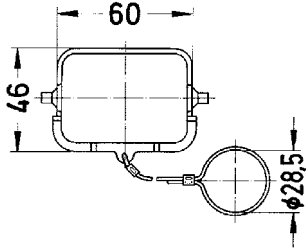
Hoods
Housings

Identification	Cable entry	Part number		Drawing Dimensions in mm
		Low construction	High construction	
Han® B, Protection cover for hoods, metal, Han-Easy Lock®, with securing flex 		09 30 006 5423	09 30 006 5423	
Han® B, Bulkhead mounted housings, Han-Easy Lock®, with thermo-plastic cover 		09 30 006 0302		 <p>Panel cut out</p>
Han® B, Bulkhead mounted housings, Han-Easy Lock®, with metal cover 		09 30 006 0318		 <p>Panel cut out</p>
Han® B, Bulkhead mounted housings, Han-Easy Lock® 		09 30 006 0301		 <p>Panel cut out</p>


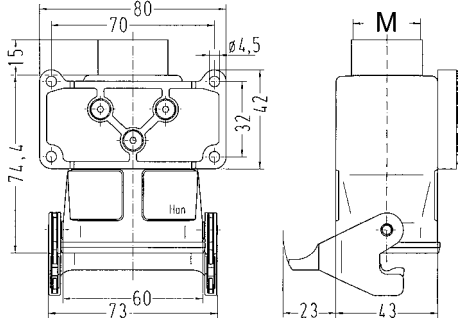

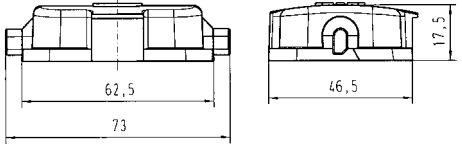

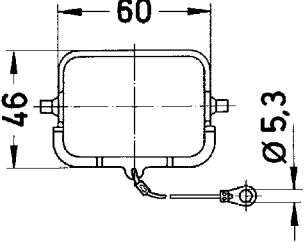

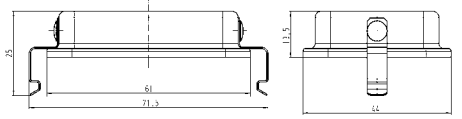
Hoods
Housings

Identification	Cable entry	Part number		Drawing Dimensions in mm
		Low construction	High construction	
Han® B, Bulkhead mounted housings, Han-Easy Lock®, IP67 		09 30 006 1301		
Han® B, Surface mounted housings, side entry, Han-Easy Lock® 	1xM20 2xM20 2xM25 2xM32	19 30 006 1250 19 30 006 1290	19 30 006 0291 19 30 006 0292	
Han® B, Surface mounted housings, side entry, Han-Easy Lock®, with thermo-plastic cover 	1xM20 2xM20 2xM25 2xM32	19 30 006 1255 19 30 006 1295	19 30 006 0296 19 30 006 0297	

Hoods
Housings


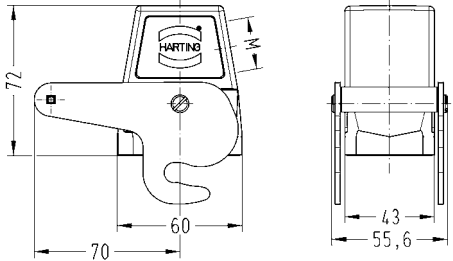

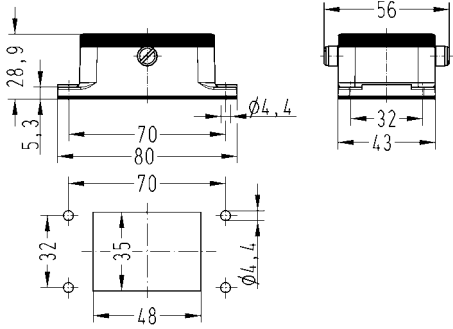
Identification	Cable entry	Part number		Drawing Dimensions in mm
		Low construction	High construction	
Han® B, Surface mounted housings, side entry, Han-Easy Lock®, with metal cover 	1xM20 2xM20 2xM25	19 30 006 2255 19 30 006 2295	19 30 006 7296	 
Han® B, Cable to cable housings, top entry 	1xM20	19 30 006 1750		
Han® B, Cable to cable housings, top entry, Han-Easy Lock® 	1xM25 1xM32		19 30 006 0756 19 30 006 0757	
Han® B, Protection cover for cable to cable housings, metal, with securing flex 		09 30 006 5427	09 30 006 5427	

Hoods
Housings

Identification	Cable entry	Part number		Drawing Dimensions in mm
		Low construction	High construction	
Han® B, Flange housings, top entry, Han-Easy Lock® 	1xM25	19 30 006 0716		
Han® B, Protection cover for housings, plastic 		09 30 006 5404	09 30 006 5404	
Han® B, Protection cover for housings, metal, with securing flex 		09 30 006 5425	09 30 006 5425	
Han® B, Protection cover for hoods, metal, with grounding pins 		09 30 006 5401	09 30 006 5401	



central locking lever

Identification	Cable entry	Part number		Drawing Dimensions in mm
		Low construction	High construction	
Han® B, Hoods, side entry 	1xM25 1xM32		19 30 006 0586 19 30 006 0587	
Han® B, Bulkhead mounted housings 		09 30 006 0381		 <p>Panel cut out</p>

Hoods
Housings