

Features

- Metal hoods/housings for industrial applications
- Locking levers: Han-Easy Lock®
- **Field of application:** for excellent mechanical and electrical protection in demanding environments, for example, in the automobile and mechanical engineering industries also for process and regulation control applications
- **Distinguishing feature:** hoods/housings colour-coded grey (RAL 7037)


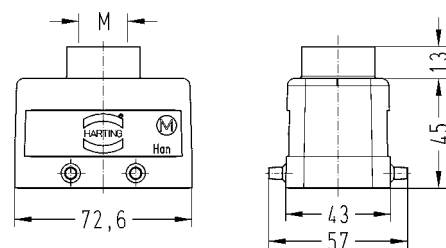

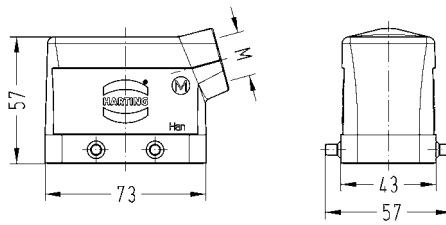
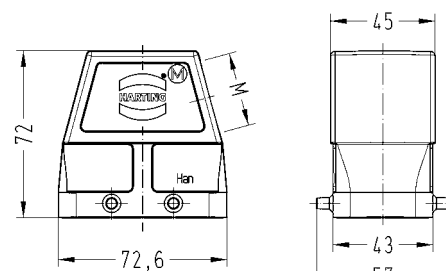
Technical characteristics

Limiting temperatures	-40 °C ... 125 °C
Flammability (locking lever) acc. to UL 94	V 0
Protection class acc. to UL 50	NEMA type 4/4X/12
Degree of protection acc. to IEC 60529	IP65, IP65 / IP67
Material (hoods/housings)	aluminium, polycarbonate
Surface (hoods/housings)	powder-coated
Colour (hoods/housings)	RAL 7037 (grey)
Material (locking lever)	polycarbonate + stainless steel, stainless steel
Colour (locking lever)	RAL 7037 (grey)
Material (seal)	NBR


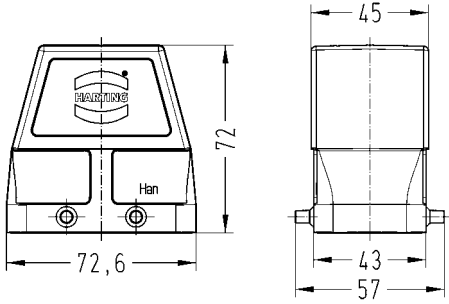

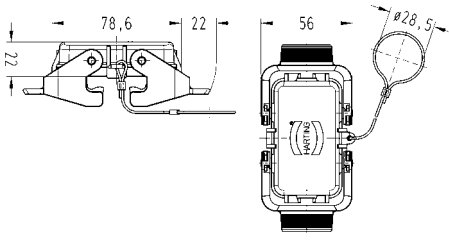

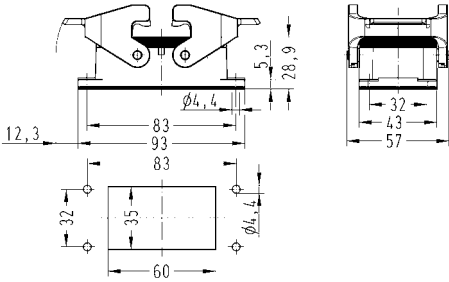

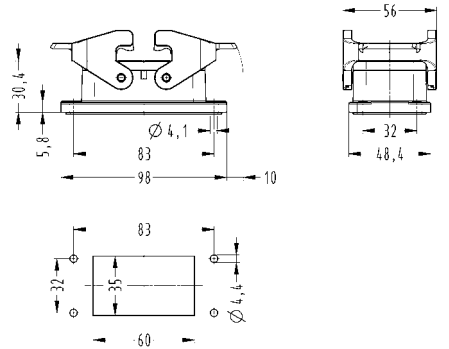
Specifications and approvals




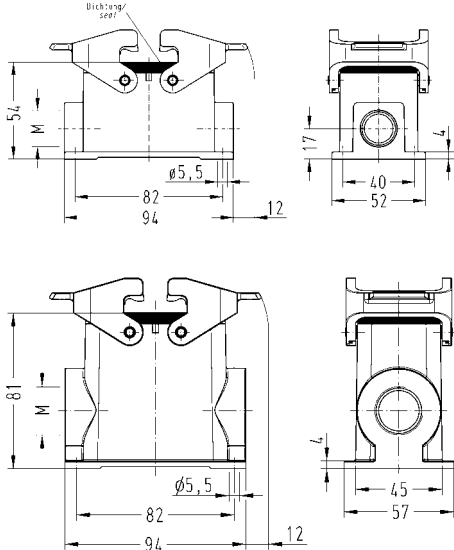

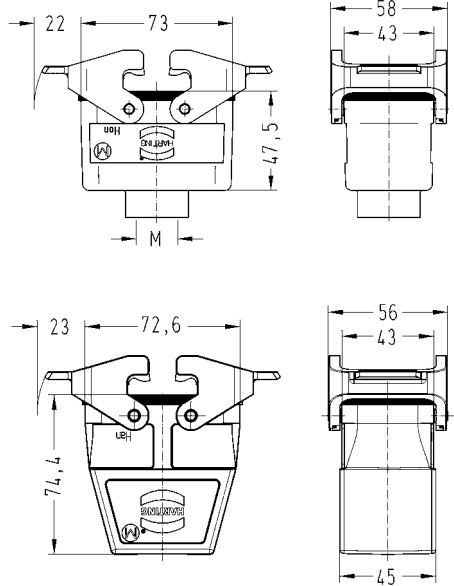

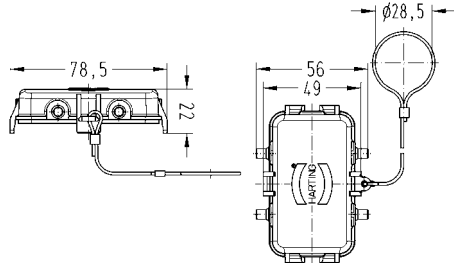

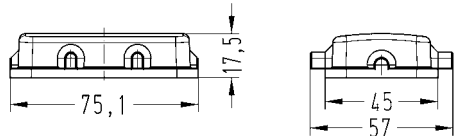
double locking lever

Identification	Cable entry	Part number		Drawing Dimensions in mm	
		Low construction	High construction		
Han® B, Hoods, top entry 	1xM20 1xM25 1xM32 1xM40 2xM20	19 30 010 1420 19 30 010 1421	19 30 010 0427 19 30 010 0428 19 30 010 0465		
Han® B, Hoods, side entry 	1xM20 1xM25 1xM32	19 30 010 1520 19 30 010 1521	19 30 010 0527		
					


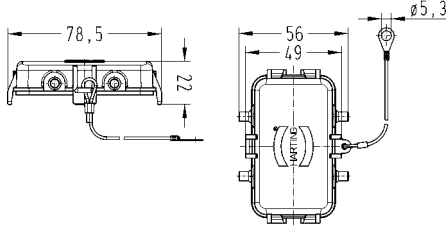

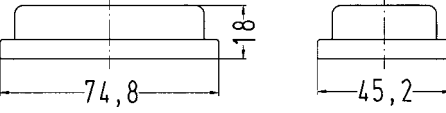

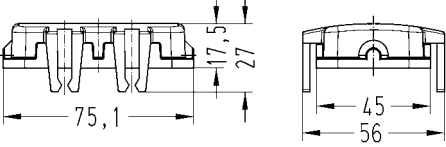


Identification	Cable entry	Part number		Drawing Dimensions in mm
		Low construction	High construction	
Han® B, Hoods, without cable entry 			09 30 010 0801	
Han® B, Protection cover for hoods, metal, Han-Easy Lock®, with securing flex 		09 30 010 5423	09 30 010 5423	
Han® B, Bulkhead mounted housings, Han-Easy Lock® 		09 30 010 0301		 <p>Panel cut out</p>
Han® B, Bulkhead mounted housings, Han-Easy Lock®, IP67 		09 30 010 1301		

Hoods
Housings


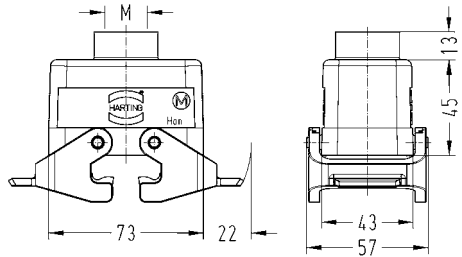
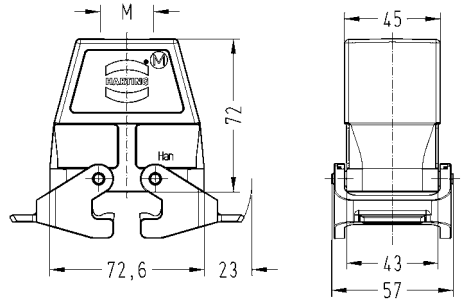

Identification	Cable entry	Part number		Drawing Dimensions in mm
		Low construction	High construction	
Han® B, Surface mounted housings, side entry, Han-Easy Lock® 	1xM20 1xM25 2xM20 2xM25 2xM32	19 30 010 1230 19 30 010 1231 19 30 010 1270	19 30 010 0231 19 30 010 0271 19 30 010 0272	
Han® B, Cable to cable housings, top entry, Han-Easy Lock® 	1xM20 1xM25 1xM32	19 30 010 1730	19 30 010 0736 19 30 010 0737	
Han® B, Protection cover for cable to cable housings, metal, with securing flex 		09 30 010 5427	09 30 010 5427	
Han® B, Protection cover for housings, plastic 		09 30 010 5407	09 30 010 5407	

Hoods
Housings

Identification	Cable entry	Part number		Drawing Dimensions in mm
		Low construction	High construction	
Han® B, Protection cover for housings, metal, with securing flex 		09 30 010 5425	09 30 010 5425	
Han® B, Dust protection cover, plastic 		09 30 010 5406	09 30 010 5406	
Han® B, Protection cover for hoods, plastic, with grounding pins 		09 30 010 5401	09 30 010 5401	


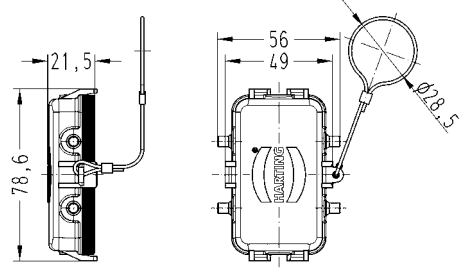

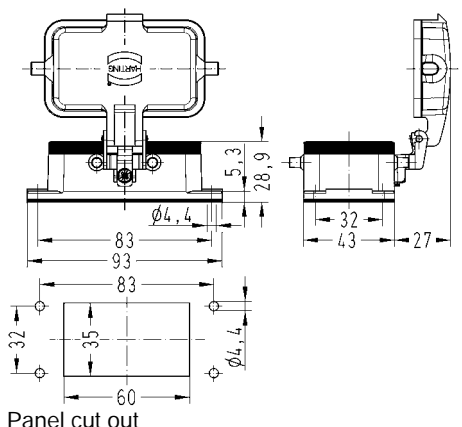

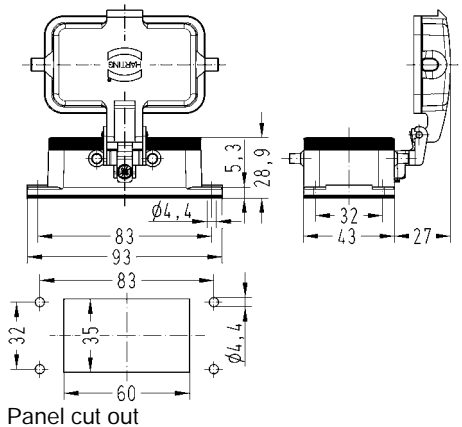
Hoods
Housings

double locking lever


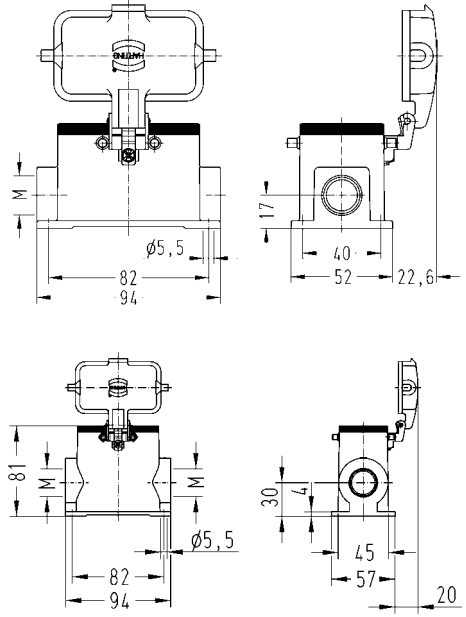
Identification	Cable entry	Part number		Drawing Dimensions in mm	
		Low construction	High construction		
Han® B, Hoods, top entry, Han-Easy Lock® 	1xM20 1xM25	19 30 010 1430	19 30 010 0436		
		19 30 010 1530	19 30 010 0537		
Han® B, Hoods, side entry, Han-Easy Lock® 	1xM20 1xM32				

Hoods
Housings




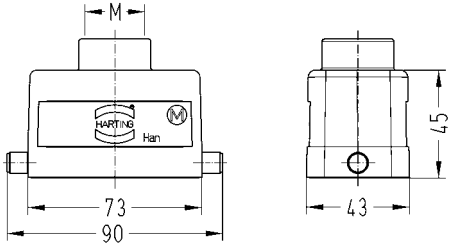
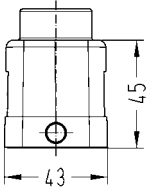

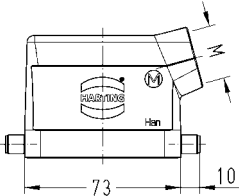
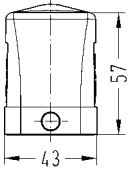
Identification	Cable entry	Part number		Drawing Dimensions in mm
		Low construction	High construction	
Han® B, Protection cover for hoods, metal, with securing flex 		09 30 010 5457	09 30 010 5457	
Han® B, Bulkhead mounted housings, with thermo-plastic cover 		09 30 010 0302		 <p>Panel cut out</p>
Han® B, Bulkhead mounted housings, with metal cover 		09 30 010 0317		 <p>Panel cut out</p>

Hoods
Housings


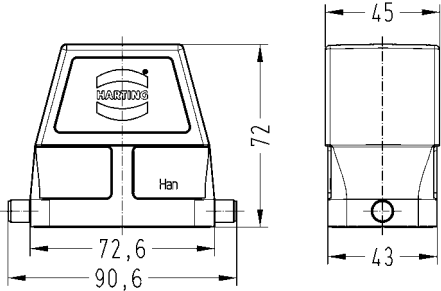

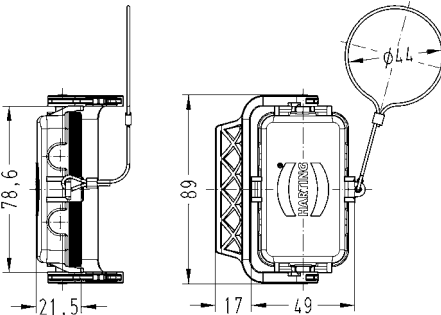

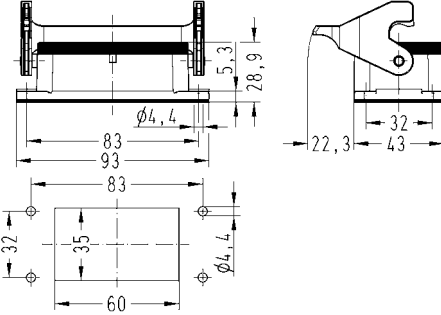

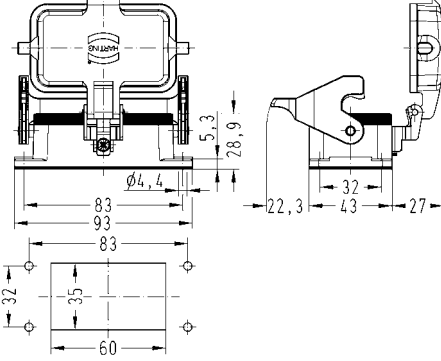
Identification	Cable entry	Part number		Drawing Dimensions in mm
		Low construction	High construction	
Han® B, Surface mounted housings, side entry, with thermo-plastic cover 	1xM20 2xM20 2xM25	19 30 010 1225 19 30 010 1265	19 30 010 0266	



single locking lever


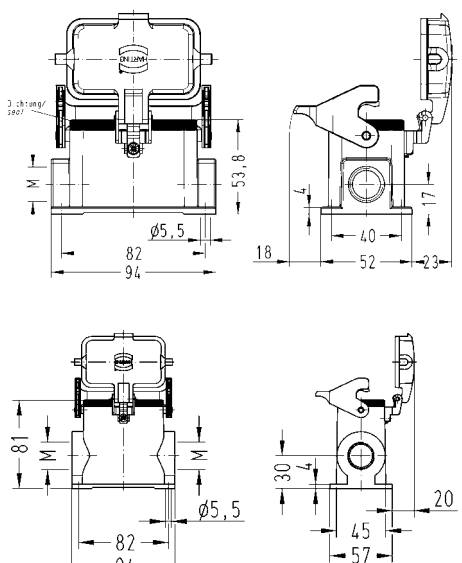

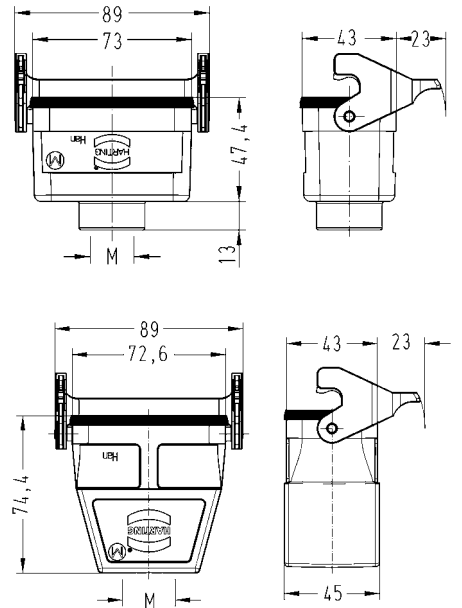

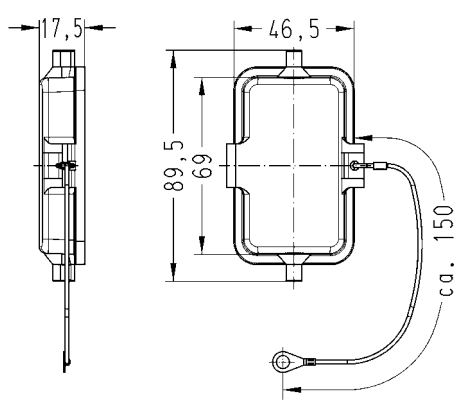
Identification	Cable entry	Part number		Drawing Dimensions in mm	
		Low construction	High construction		
Han® B, Hoods, top entry 	1xM20 1xM25 1xM32	19 30 010 1440	19 30 010 0447		
		19 30 010 1441			
Han® B, Hoods, side entry 	1xM20 1xM25 1xM32	19 30 010 1540	19 30 010 0547		
		19 30 010 1541			

Hoods
Housings

Identification	Cable entry	Part number		Drawing Dimensions in mm
		Low construction	High construction	
Han® B, Hoods, without cable entry 			09 30 010 0803	
Han® B, Protection cover for hoods, metal, Han-Easy Lock®, with securing flex 		09 30 010 5432	09 30 010 5432	
Han® B, Bulkhead mounted housings, Han-Easy Lock® 		09 30 010 0305		 <p>Panel cut out</p>
Han® B, Bulkhead mounted housings, Han-Easy Lock®, with thermo-plastic cover 		09 30 010 0303		 <p>Panel cut out</p>

Identification	Cable entry	Part number		Drawing Dimensions in mm
		Low construction	High construction	
Han® B, Bulkhead mounted housings, Han-Easy Lock®, with metal cover		09 30 010 0318		<p>Panel cut out</p>
Han® B, Surface mounted housings, side entry, Han-Easy Lock® 	1xM20 2xM20 2xM25 2xM32	19 30 010 1250 19 30 010 1290	19 30 010 0291 19 30 010 0292	
Han® B, Surface mounted housings, side entry, Han-Easy Lock®, with thermo-plastic cover 	1xM20 2xM20 2xM25 2xM32	19 30 010 1255 19 30 010 1295	19 30 010 0296 19 30 010 0297	


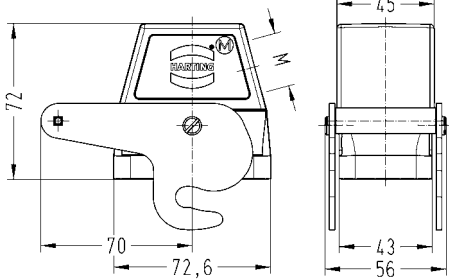

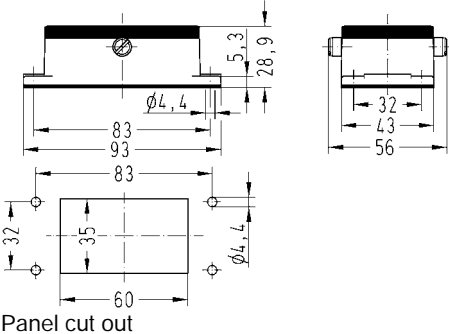
Hoods
Housings

Identification	Cable entry	Part number		Drawing Dimensions in mm
		Low construction	High construction	
Han® B, Surface mounted housings, side entry, Han-Easy Lock®, with metal cover 	2xM20 2xM25	19 30 010 2295	19 30 010 7296	
Han® B, Cable to cable housings, top entry, Han-Easy Lock® 	1xM20 1xM25 1xM32	19 30 010 1750	19 30 010 0756 19 30 010 0757	
Han® B, Protection cover for housings, plastic, with securing flex 		09 30 010 5412	09 30 010 5412	

Hoods
Housings



central locking lever

Identification	Cable entry	Part number		Drawing Dimensions in mm
		Low construction	High construction	
Han® B, Hoods, side entry 	1xM25		19 30 010 0586	
Han® B, Bulkhead mounted housings 		09 30 010 0381		 <p>Panel cut out</p>

Hoods
Housings