

Features

- Metal hoods/housings for industrial applications
- Locking levers: Han-Easy Lock®
- **Field of application:** for excellent mechanical and electrical protection in demanding environments, for example, in the automobile and mechanical engineering industries also for process and regulation control applications
- **Distinguishing feature:** hoods/housings colour-coded grey (RAL 7037)


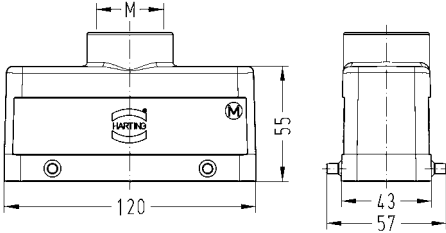

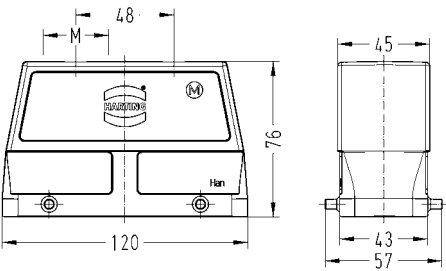

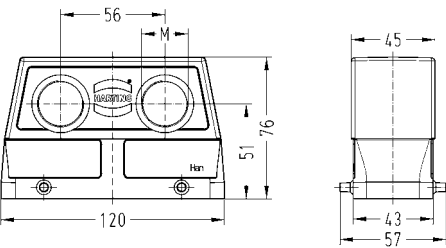
Technical characteristics

Limiting temperatures	-40 °C ... 125 °C
Flammability (locking lever) acc. to UL 94	V 0
Protection class acc. to UL 50	NEMA type 4/4X/12
Degree of protection acc. to IEC 60529	IP65, IP65 / IP67
Material (hoods/housings)	aluminium, polycarbonate
Surface (hoods/housings)	powder-coated
Colour (hoods/housings)	RAL 7037 (grey)
Material (locking lever)	polycarbonate + stainless steel, stainless steel
Colour (locking lever)	RAL 7037 (grey)
Material (seal)	NBR

Specifications and approvals


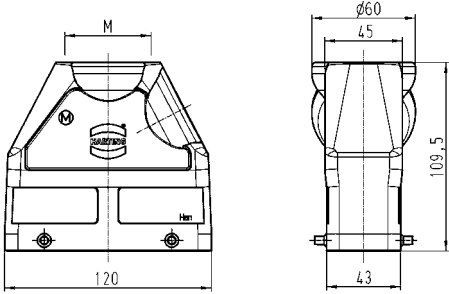

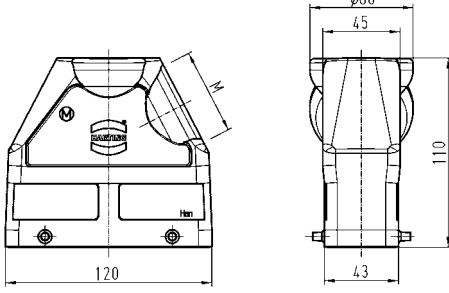

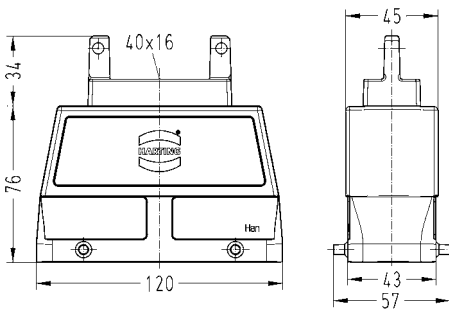

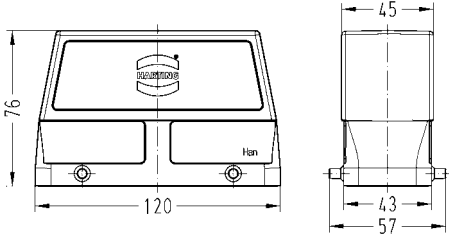

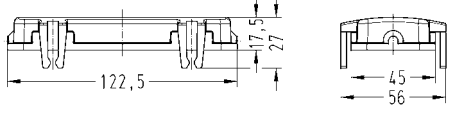


double locking lever


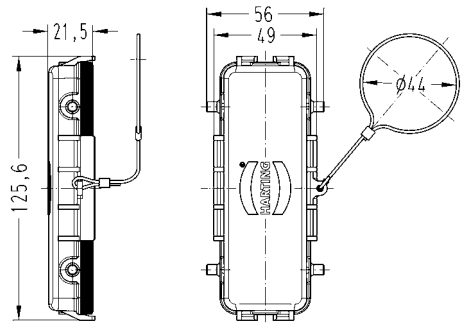

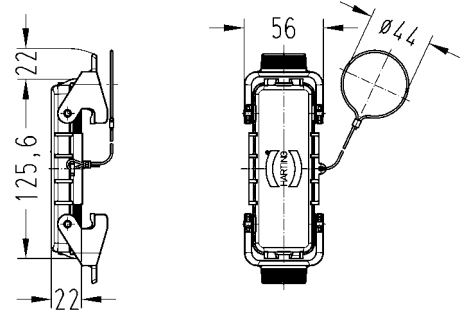

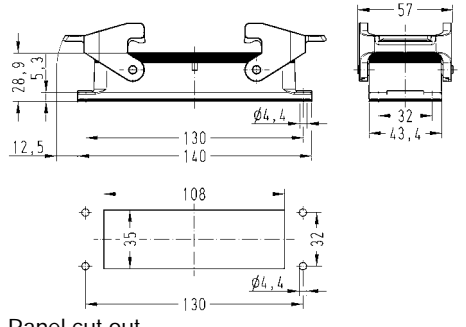

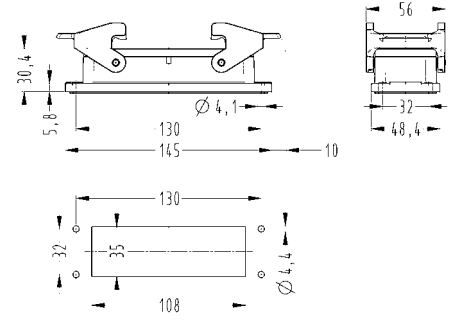
Identification	Cable entry	Part number		Drawing Dimensions in mm	
		Low construction	High construction		
Han® B, Hoods, top entry 	1xM32 1xM40 2xM32 2xM40	19 30 024 1422	19 30 024 0427 19 30 024 0428 19 30 024 0467 19 30 024 0468		
Han® B, Hoods, side entry 	1xM25 1xM32 1xM40	19 30 024 1521 19 30 024 1522	19 30 024 0527 19 30 024 0528		
Han® B, Hoods, angled entry 	2xM25		19 30 024 0666		

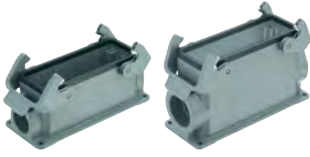
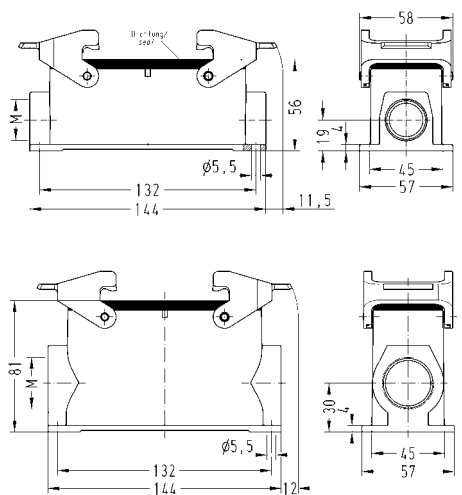

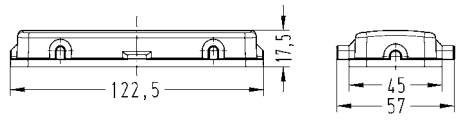

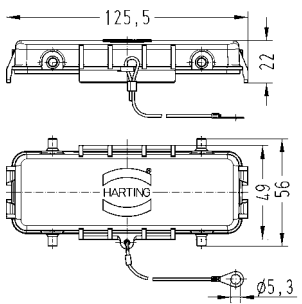

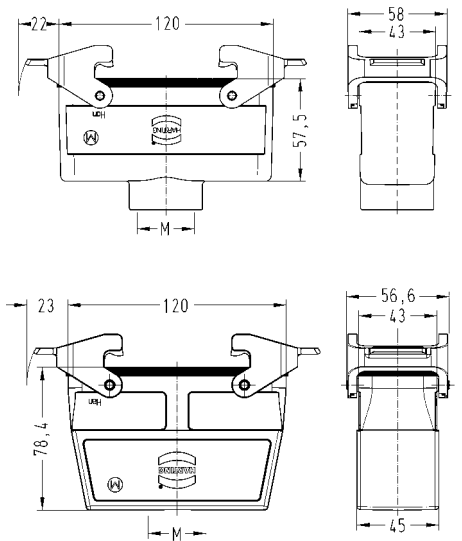
Hoods
Housings



Identification	Cable entry	Part number		Drawing Dimensions in mm
		Low construction	High construction	
Han® B, Hoods, top entry, special type 	1xM50		19 30 024 0429	
Han® B, Hoods, side entry, special type 	1xM40 1xM50		19 30 024 0523 19 30 024 0529	
Han® B, Hoods, flat cable entry 			09 30 024 4411	
Han® B, Hoods, without cable entry 			09 30 024 0801	
Han® B, Protection cover for hoods, plastic, with grounding pins 		09 30 024 5401	09 30 024 5401	


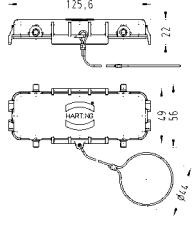

Hoods
Housings

Identification	Cable entry	Part number		Drawing Dimensions in mm
		Low construction	High construction	
Han® B, Protection cover for hoods, metal, with securing flex 		09 30 024 5442	09 30 024 5442	
Han® B, Protection cover for hoods, metal, Han-Easy Lock®, with securing flex 		09 30 024 5422	09 30 024 5422	
Han® B, Bulkhead mounted housings, Han-Easy Lock® 		09 30 024 0301		 <p>Panel cut out</p>
Han® B, Bulkhead mounted housings, Han-Easy Lock®, IP67 		09 30 024 1301		


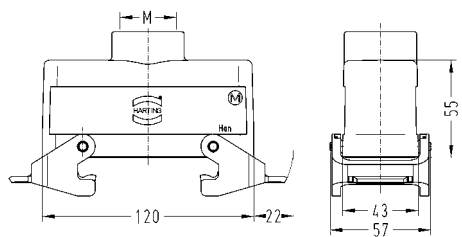
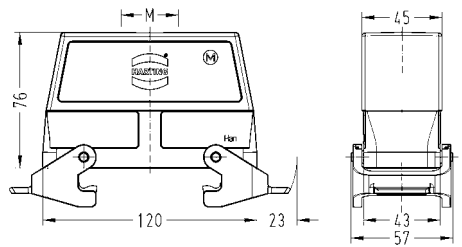

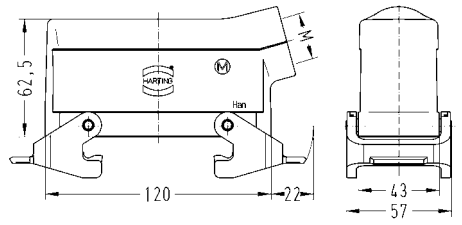
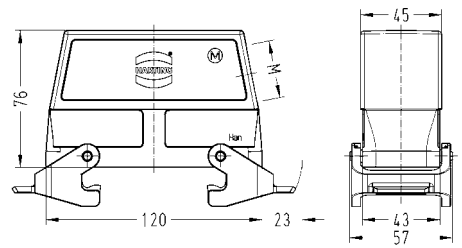
Identification	Cable entry	Part number		Drawing Dimensions in mm
		Low construction	High construction	
Han® B, Surface mounted housings, side entry, Han-Easy Lock® 	1xM25 1xM32 2xM25 2xM32 2xM40	19 30 024 1231 19 30 024 1271	19 30 024 0232 19 30 024 0272 19 30 024 0273	
Han® B, Cover for housings, plastic 		09 30 024 5405	09 30 024 5405	
Han® B, Cover for housings, metal, with securing flex 		09 30 024 5425	09 30 024 5425	
Han® B, Cable to cable housings, top entry, Han-Easy Lock® 	1xM32 1xM40	19 30 024 1732	19 30 024 0737 19 30 024 0738	

Hoods
Housings


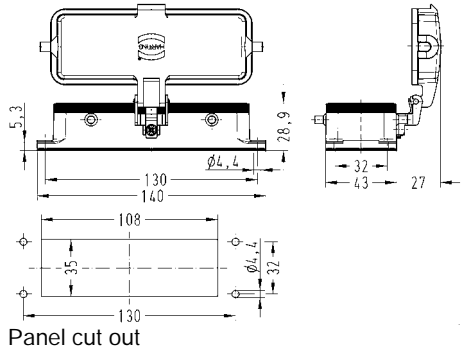

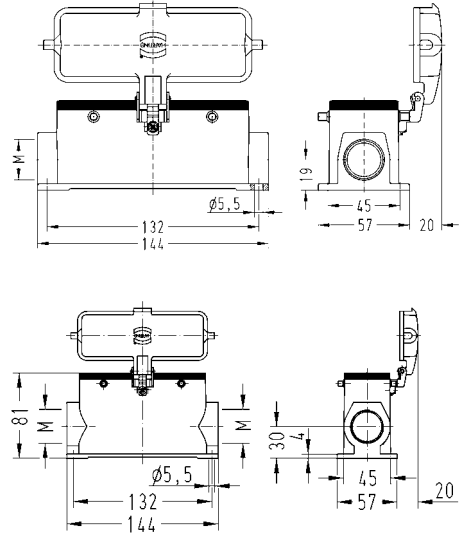


Identification	Cable entry	Part number		Drawing Dimensions in mm
		Low construction	High construction	
Han® B, Protection cover for cable to cable housings, metal, with securing flex 		09 30 024 5426	09 30 024 5426	
Han® B, Dust protection cover, plastic 		09 30 024 5406	09 30 024 5406	


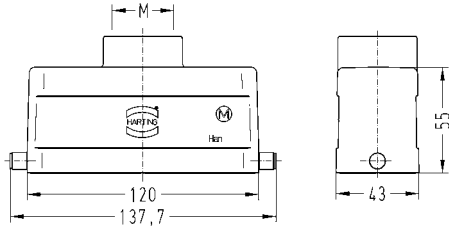
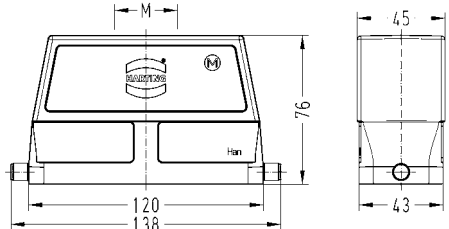

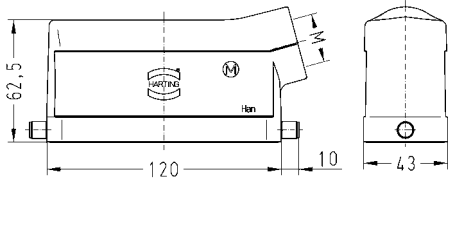
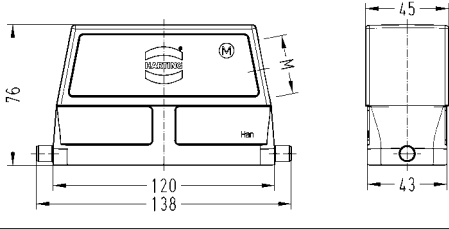

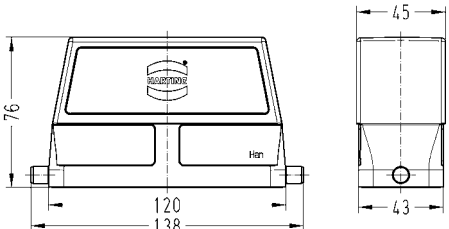
double locking lever

Identification	Cable entry	Part number		Drawing Dimensions in mm	
		Low construction	High construction		
Han® B, Hoods, top entry, Han-Easy Lock® 	1xM32 1xM40	19 30 024 1432	19 30 024 0437 19 30 024 0438		
Han® B, Hoods, side entry, Han-Easy Lock® 	1xM25 1xM32 1xM40	19 30 024 1531	19 30 024 0537 19 30 024 0538		


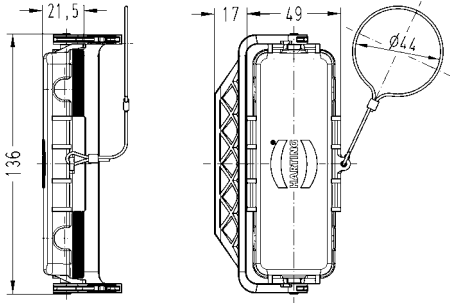

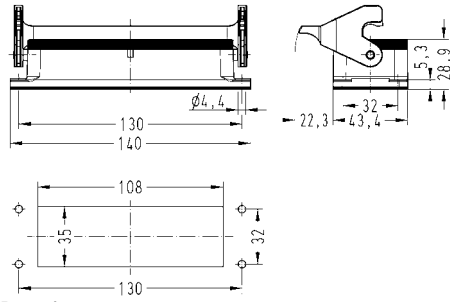

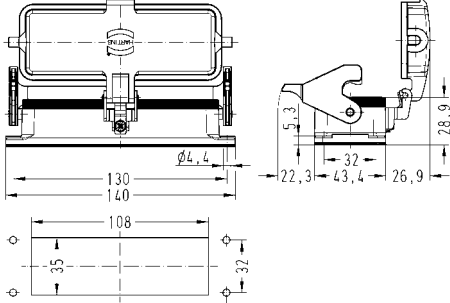

Hoods
Housings


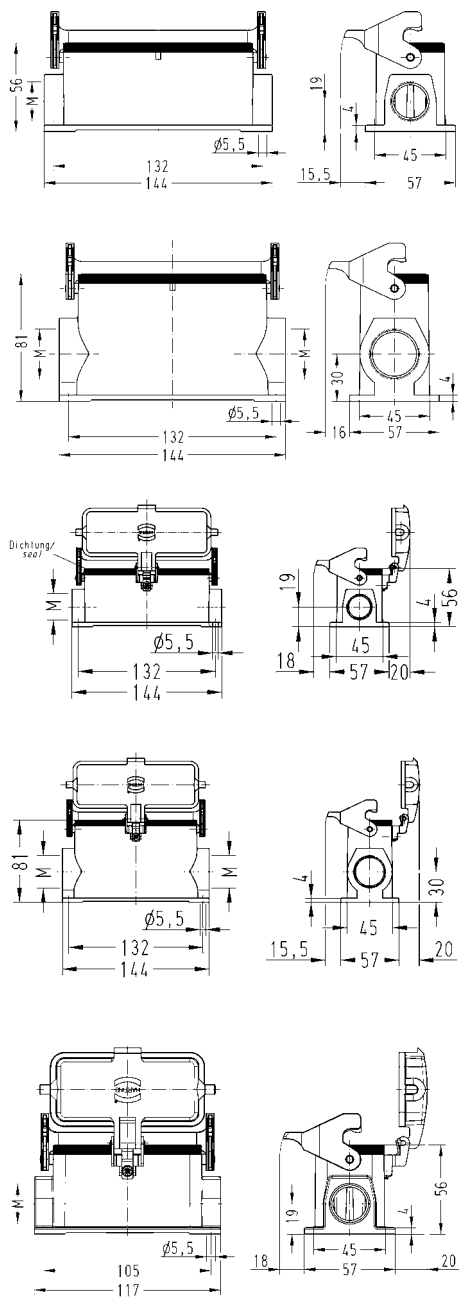

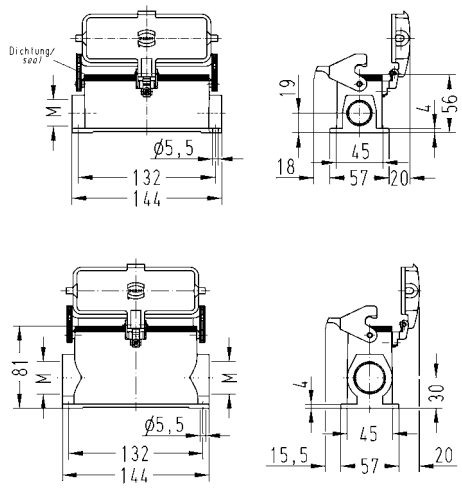

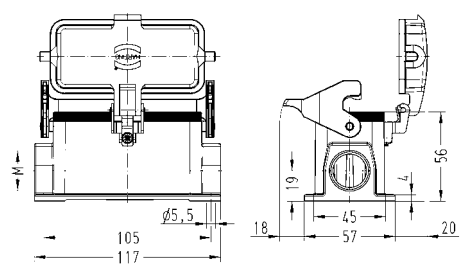

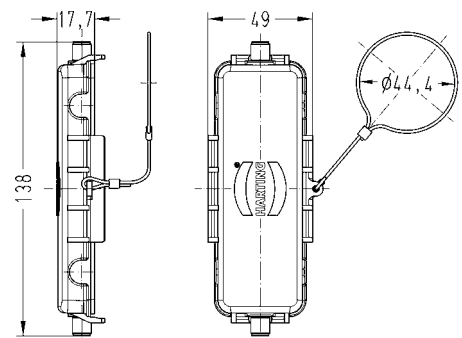
Identification	Cable entry	Part number		Drawing Dimensions in mm
		Low construction	High construction	
Han® B, Bulkhead mounted housings, with thermo-plastic cover 		09 30 024 0302		 <p>Panel cut out</p>
Han® B, Surface mounted housings, side entry, with thermo-plastic cover 	1xM25 2xM25 2xM32	19 30 024 1226 19 30 024 1266	19 30 024 0267	

single locking lever

Identification	Cable entry	Part number		Drawing Dimensions in mm	
		Low construction	High construction		
Han® B, Hoods, top entry 	1xM32 1xM40	19 30 024 1442	19 30 024 0447 19 30 024 0448		
Han® B, Hoods, side entry 	1xM25 1xM32 1xM40	19 30 024 1541 19 30 024 1542	19 30 024 0547 19 30 024 0548		
Han® B, Hoods, without cable entry 			09 30 024 0803		


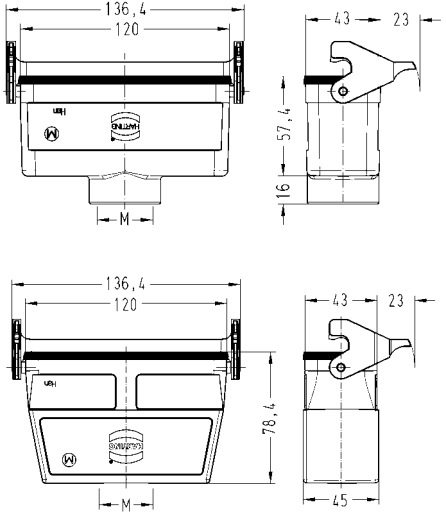
Hoods
Housings

Identification	Cable entry	Part number		Drawing Dimensions in mm
		Low construction	High construction	
Han® B, Protection cover for hoods, metal, Han-Easy Lock®, with securing flex 		09 30 024 5432	09 30 024 5432	
Han® B, Bulkhead mounted housings, Han-Easy Lock® 		09 30 024 0307		 <p>Panel cut out</p>
Han® B, Bulkhead mounted housings, Han-Easy Lock®, with thermo-plastic cover 		09 30 024 0304		 <p>Panel cut out</p>
Han® B, Bulkhead mounted housings, Han-Easy Lock®, with metal cover 		09 30 024 0318		

Identification	Cable entry	Part number		Drawing Dimensions in mm
		Low construction	High construction	
Han® B, Surface mounted housings, side entry, Han-Easy Lock® 	1xM25 2xM25 2xM32	19 30 024 1251 19 30 024 1291	19 30 024 0292	
Han® B, Surface mounted housings, side entry, Han-Easy Lock®, with thermo-plastic cover 	1xM25 2xM25 2xM32	19 30 024 1256 19 30 024 1296	19 30 024 0297	
Han® B, Surface mounted housings, side entry, Han-Easy Lock®, with metal cover 	2xM25 2xM32	19 30 024 2296	19 30 024 7297	
Han® B, Cover for housings, metal 		09 30 024 5436	09 30 024 5436	


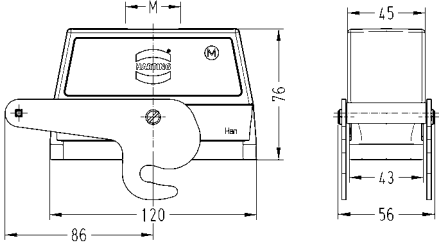

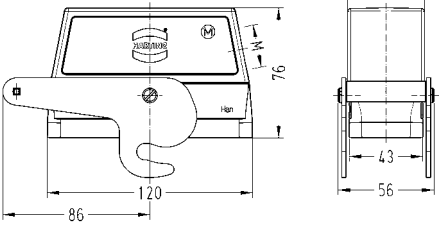

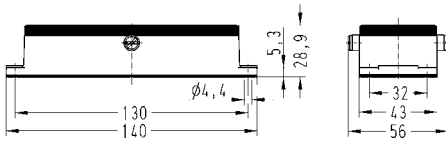
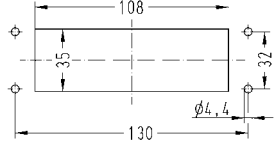
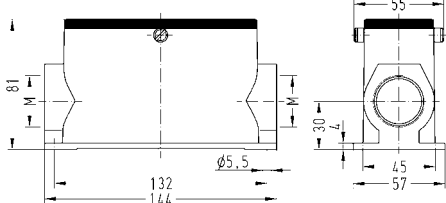
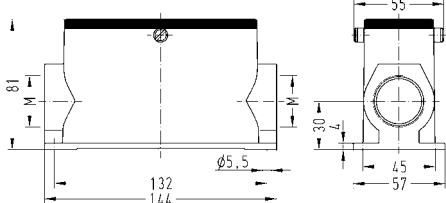
Hoods
Housings



Identification	Cable entry	Part number		Drawing Dimensions in mm
		Low construction	High construction	
Han® B, Cable to cable housings, top entry, Han-Easy Lock® 	1xM32	19 30 024 1752	19 30 024 0757	



central locking lever

Identification	Cable entry	Part number		Drawing Dimensions in mm
		Low construction	High construction	
Han® B, Hoods, top entry 	1xM32		19 30 024 0487	
Han® B, Hoods, side entry 	1xM25 1xM32 1xM40		19 30 024 0586 19 30 024 0587 19 30 024 0588	
Han® B, Bulkhead mounted housings 		09 30 024 0381		  <p>Panel cut out</p>
Han® B, Surface mounted housings, side entry 	2xM32		19 30 024 0282	

Hoods
Housings