

## Features

- Metal hoods/housings for industrial applications
- Locking levers: Han-Easy Lock®
- **Field of application:** for excellent mechanical and electrical protection in demanding environments, for example, in the automobile and mechanical engineering industries also for process and regulation control applications
- **Distinguishing feature:** hoods/housings colour-coded grey (RAL 7037)


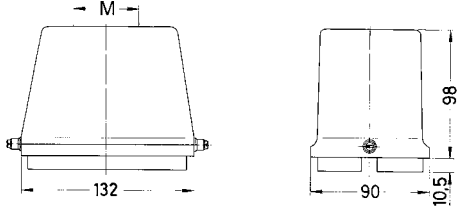

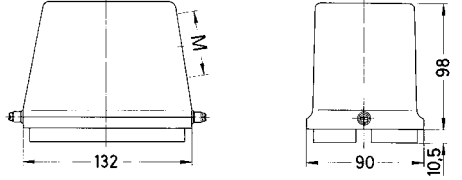

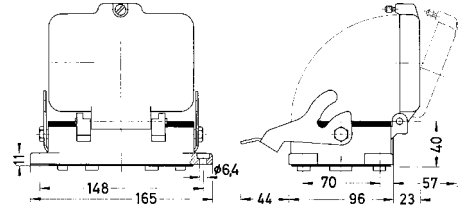
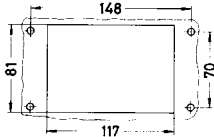
## Technical characteristics

Limiting temperatures	-40 °C ... 125 °C
Flammability (locking lever) acc. to UL 94	V 0
Protection class acc. to UL 50	NEMA type 4/4X/12
Degree of protection acc. to IEC 60529	IP65, IP65 / IP67
Material (hoods/housings)	aluminium, polycarbonate
Surface (hoods/housings)	powder-coated
Colour (hoods/housings)	RAL 7037 (grey)
Material (locking lever)	polycarbonate + stainless steel, stainless steel
Colour (locking lever)	RAL 7037 (grey)
Material (seal)	NBR


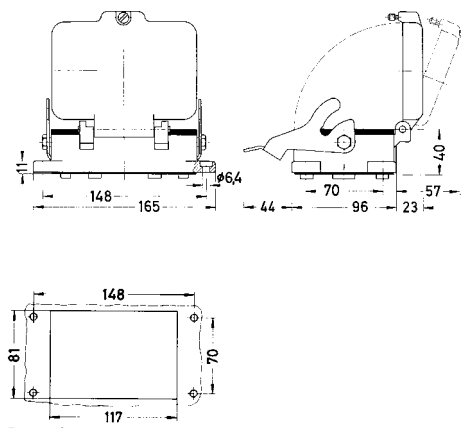

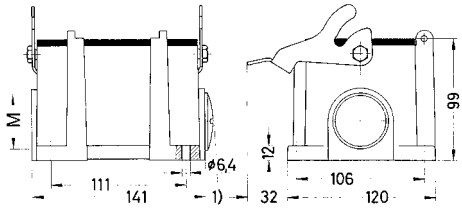

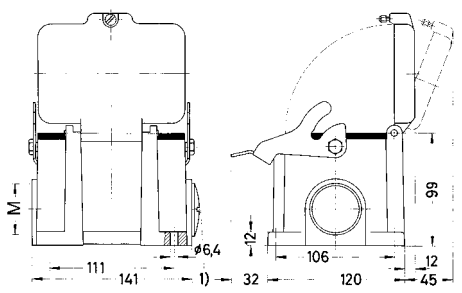
## Specifications and approvals



single locking lever

Identification	Cable entry	Part number		Drawing Dimensions in mm
		Low construction	High construction	
Han® B, Hoods, top entry  	1xM40 1xM50 1xM63		19 30 048 0448 19 30 048 0449 19 30 048 0450	
Han® B, Hoods, side entry  	1xM40 1xM50		19 30 048 0548 19 30 048 0549	
Han® B, Bulkhead mounted housings, with thermo-plastic cover  		09 30 048 0301		  <p>Panel cut out</p>



Identification	Cable entry	Part number		Drawing Dimensions in mm
		Low construction	High construction	
Han® B, Bulkhead mounted housings, with metal cover  		09 30 048 0317		 <p>Panel cut out</p>
Han® B, Surface mounted housings, side entry  	2xM32 2xM40		19 30 048 0292 19 30 048 0293	
Han® B, Surface mounted housings, side entry, with thermo-plastic cover  	2xM40		19 30 048 0298	

Hoods  
Housings