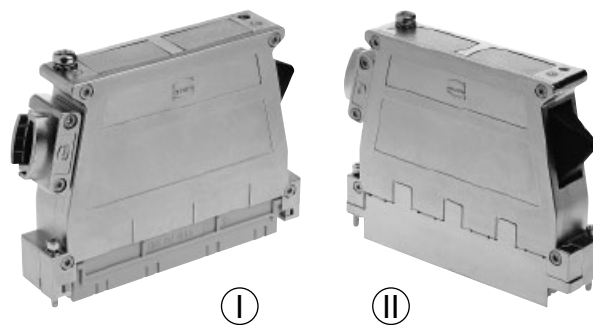


# Shell housing D 20 metal for types F, H and MH



Identification	Part No.	Drawing	Dimensions in mm
----------------	----------	---------	------------------

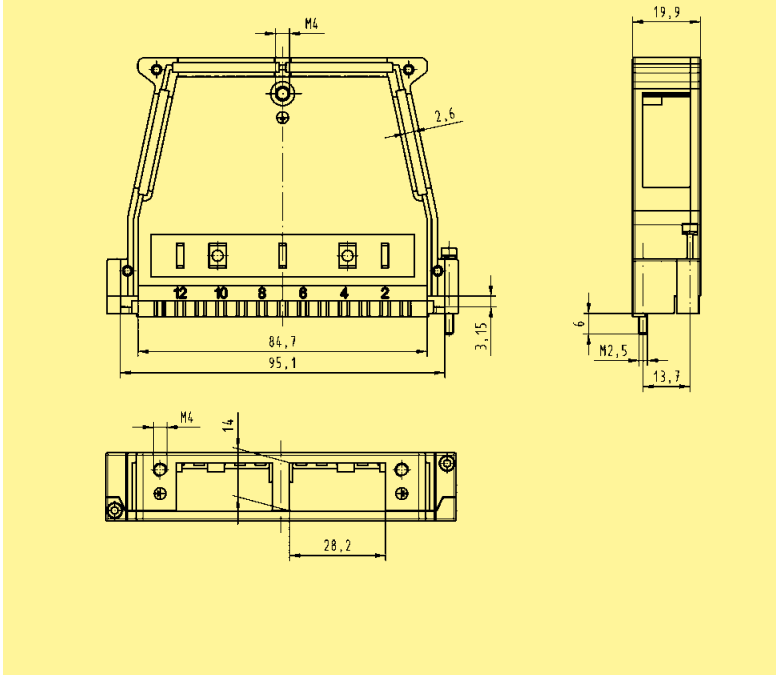
Shell housing  
D 20 metal

①

Supplied with:

Shell with coding	1x
Cover	1x
Locking screw (hexagonal) M2.5 x 23 (09 06 800 9953)	2x
Screw (torx) M2.5 x 10 (09 06 800 9960)	4x
Earth screw M4 x 8 (09 06 800 9958)	2x

09 06 848 0550



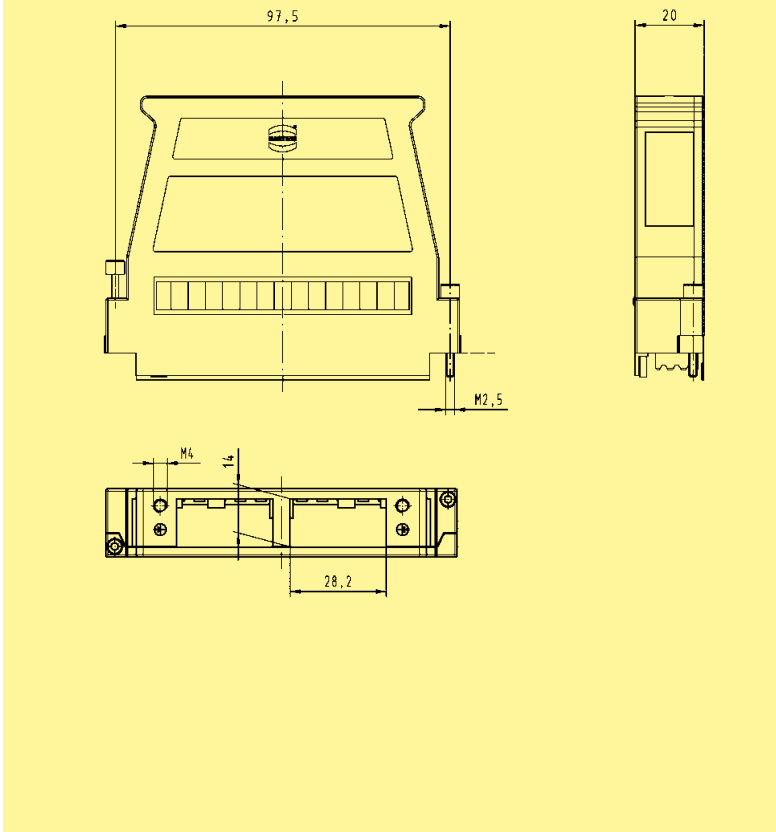
Shell housing  
D 20 metal HF  
with nickel-plated  
surface

②

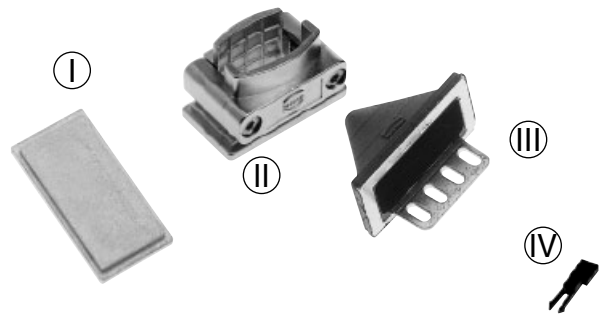
Supplied with:

Shell with coding and HF-sealing spring	1x
Cover with shielding plate	1x
Locking screw (hexagonal) M2.5 x 23 (09 06 800 9953)	2x
Screw (torx) M2.5 x 10 (09 06 800 9960)	4x
Earth screw M4 x 8 (09 06 800 9958)	2x

09 06 848 0551

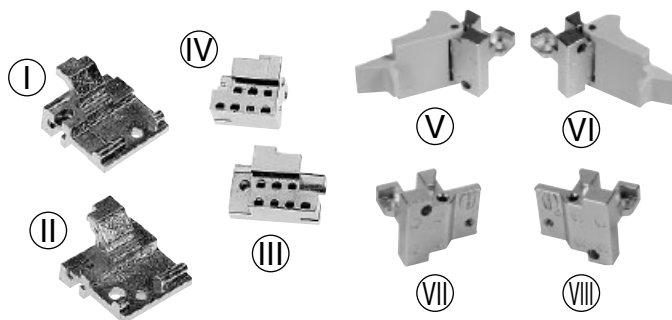


# Shell housing D 20 metal for types F, H and MH



Identification	Part No.	Drawing	Dimensions in mm
Blinding piece <span style="float: right;">Ⓚ</span>	09 06 800 9951		
Cable clamp <span style="float: right;">Ⓛ</span>	09 06 800 9955		
Cable grommet with strain relief <span style="float: right;">Ⓜ</span>	09 06 800 9950		
Crimp flange insert	09 06 800 9952		
Cable clamp cable-Ø appr. 5- 7 mm cable-Ø appr. 7-10 mm cable-Ø appr. 10-12 mm	61 03 000 0141 61 03 000 0044 61 03 000 0143		
Blanking piece for hoods	61 03 000 0042		
Code pin <span style="float: right;">Ⓨ</span>	09 06 001 9905	Order 13 pieces per code comb	
Hexagon ball-head screw driver	09 99 000 0003	Werkzeugsatz Set of tools  Sechskant hexagon Torx	

# Shell housing D 20 metal HF for types F, H and MH



Identification	Part No.	Drawing	Dimensions in mm
<p><b>Fixing brackets B metallised for male connectors</b> for 19" racks according to DIN EN 60 297, part 3-101</p> <p><b>Single fixing</b> (I) with nut M 2.5 DIN EN ISO 4 036 (II)</p>	<p>left 20 mm 09 06 901 9924<sup>1)</sup></p> <p>right 20 mm 09 06 901 9925<sup>1)</sup></p>		
<p><b>Multiple fixing</b> with coding at fixing bracket with nut M 2.5 DIN 562 (III)</p> <p>(IV)</p>	<p>left 20 mm 09 06 900 9997<sup>1)</sup></p> <p>right 15 mm 09 06 900 9996<sup>1)</sup></p>		
<p><b>Fixing brackets B metal for male connectors</b> for 19" racks according to DIN EN 60 297, part 3-101</p> <p><b>Single fixing</b> with ejector handle</p> <p>(V)</p> <p>(VI)</p> <p>without ejector handle</p> <p>(VII)</p> <p>(VIII)</p>	<p>left 09 06 800 9946</p> <p>right 09 06 800 9948</p> <p>left 09 06 800 9966</p> <p>right 09 06 800 9968</p>		

Shell housings

20  
-  
32

<sup>1)</sup> Railway classification NFF 16-101, Smoke index: F1, Flammability class: I2