

Fitting female connectors

Part-No.	Type	D 20/2	D 20/4	D 20 metal	D 20 metal HF
09 06 2__ 823	F with open solder lugs	X		X	X
09 06 2__ 853	F with closed solder lugs	X		X	X
09 06 248 3201	F moulding for crimp contacts	X	X	X	X
09 06 215 2871	H for faston	X		X	X
09 06 015 2813	H with cage clamps	X		X	X
09 06 231 2881	MH moulding for crimp contacts	X		X	X

Order example:

09 06 2__ 853

32 = 32 contacts
48 = 48 contacts



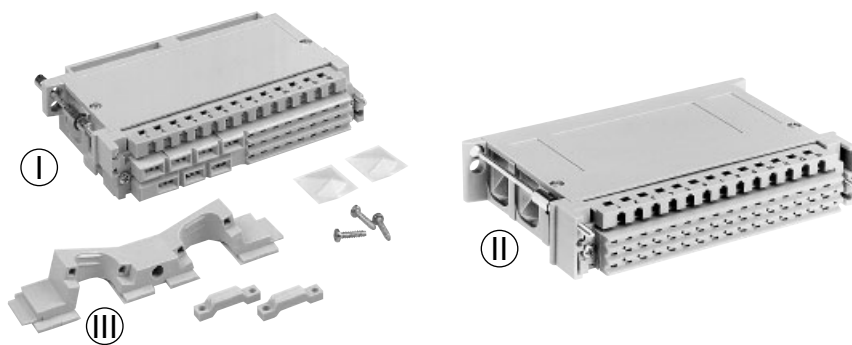
7 = performance level 3
6 = performance level 2
2 = performance level 1

Technical characteristics

	D 20/2	D 20/2 metallised ¹⁾	D 20/4	D 20/4 metallised ¹⁾	D 20 metal	D 20 metal HF
Part No.	09 06 048 0521	09 06 948 0521	09 06 048 0522	09 06 948 0522	09 06 848 0550	09 06 848 0551
Material	Polycarbonate	Polycarbonate	Polycarbonate	Polycarbonate	Zinc alloy	Zinc alloy
Surface	none	nickel/copper	none	nickel/copper	nickel-plated	nickel-plated
Weight [g]	36	44	43	52	182	188
Cable entries	side (2 x), top (2 x)	side (2 x), top (2 x)	side (4 x)	side (4 x)	side (2 x), top (2 x)	side (2 x) top (2 x)
Protection	IP 20	IP 20	IP 20	IP 20	IP 20	IP 20

¹⁾ upper temperature limit is +105 °C

Shell housing D 20 for types F, H and MH

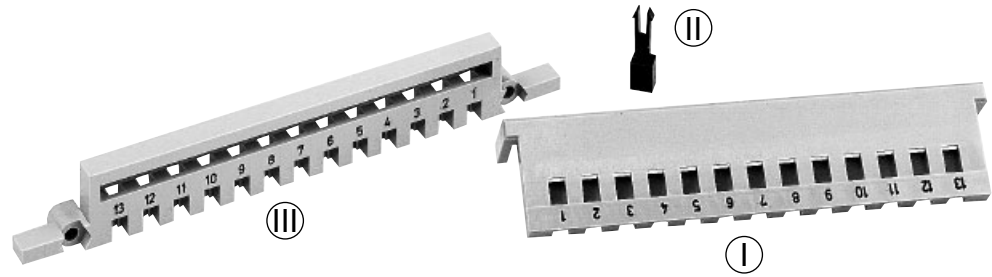


Shell housings

20
-
22

Identification	Part No.	Drawing	Dimensions in mm
Shell housing D 20/2 Two side cable entries I	20 mm 09 06 048 0521		
Shell housing D 20/4 Four side cable entries II Supplied with: Shell 1x Cover 1x Locking screw 2x (09 06 000 9920) Locking washer 2.3 2x Screw BZ 2.2x9.5 12x Blinding piece 3x Cable clamp 2x	20 mm 09 06 048 0522		
Inserts e. g. for LED* for 55 mm height	09 06 000 9986		
for 60 mm height	09 06 000 9987		
Round cable insert* 2 x Ø 11 III	09 06 000 9988		
Flat cable insert*	09 06 000 9989		

* Fits D 20/2
 Railway classification NFF 16-101, Smoke index: F1, Flammability class: I2



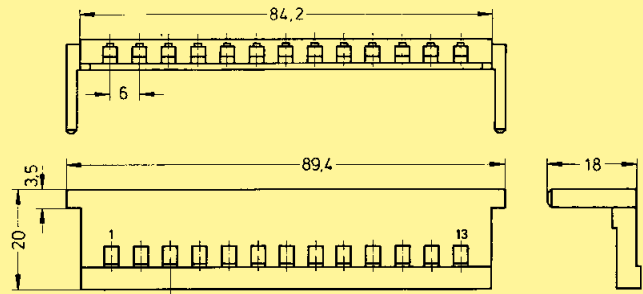
Coding

Identification Part No. Drawing Dimensions in mm

Code comb for shell housing³⁾
(can also be used as a blanking cover)



09 06 000 9984^{f)}

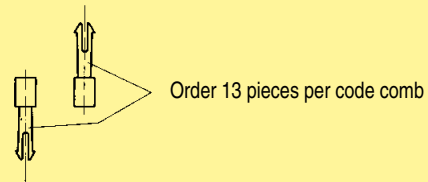


Coding pin³⁾



09 06 001 9905¹⁾

¹⁾ Order 13 pieces per code comb



Code comb for male connectors³⁾



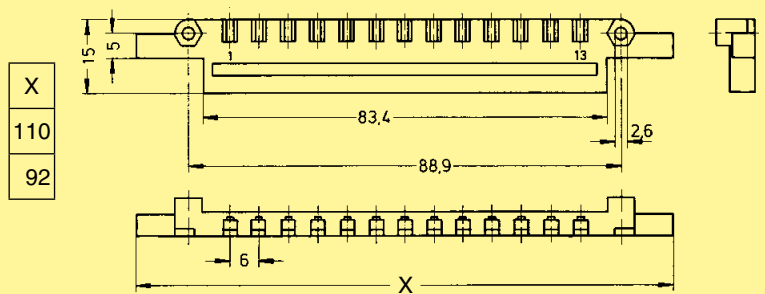
09 06 000 9985^{f)}

09 06 001 9985^{f)}

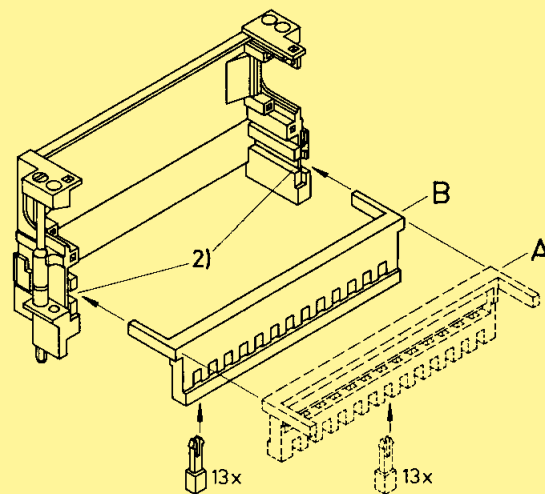
short version for a full metal locking lever

with nut M2.5

09 06 001 9995^{f)}



Mounting possibilities for the code comb in the shell housing D 20/2



²⁾ Use the lower slot when coding the male connector with fixing brackets

Mounting example **A** max. cable entry \varnothing 14 mm to the top, see page 20.25

Mounting example **B** max. cable entry \varnothing 14 mm to the bottom, see page 20.25

³⁾ Fits D 20/2 and D 20/4

^{f)} Railway classification NFF 16-101, Smoke index: F1, Flammability class: I2

Identification	Part No.	Drawing	Dimensions in mm
<p>Mounting possibilities for code comb at the male connector with fixing brackets</p>			
<p>Fixing brackets B for male connectors* for 19" racks according to DIN EN 60297, part 3-101</p> <p>Single fixing* without nut</p> <p>with nut M 2.5 DIN 562</p>	<p>left 09 06 000 9909</p> <p>right 09 06 000 9910</p> <p>left 09 06 001 9934</p> <p>right 09 06 001 9935</p>		
<p>Multiple fixing* without coding at the fixing bracket without nut</p> <p>without coding at the fixing bracket with nut M 2.5 DIN 562</p> <p>with coding at fixing bracket¹⁾ with nut M 2.5 DIN 562</p> <p>15 mm 20 mm</p> <p>15 mm 20 mm</p>	<p>left 09 06 000 9907</p> <p>right 09 06 000 9908</p> <p>left 09 06 000 9966</p> <p>right 09 06 000 9967</p> <p>left 09 06 000 9995 09 06 000 9997</p> <p>right 09 06 000 9996 09 06 000 9998</p>		<p>mounting examples</p> <p>09 06 000 9995 09 06 000 9997</p> <p>2) supplied with fixing</p>
<p>Protection and fixing strip* for 20 mm shell housing</p> <p>Single fixing</p> <p>fits female connectors and I element crimp</p>	<p>09 06 001 9909</p>		

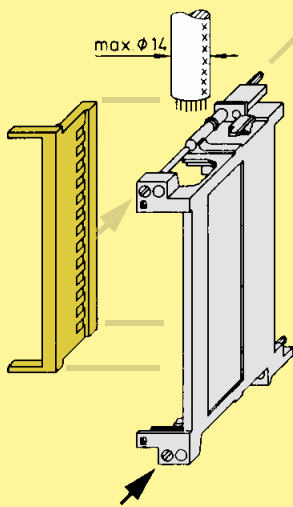
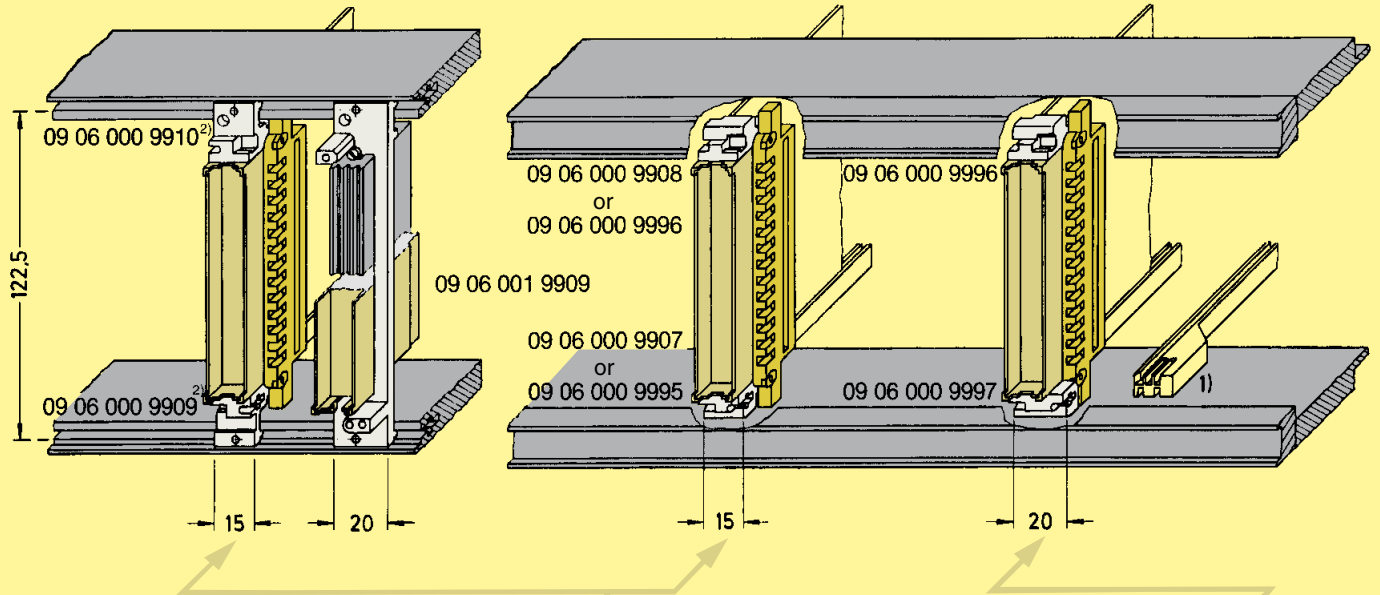
* Fits D 20/2 and D 20/4
¹⁾ Specific coding between the fixing bracket and the pcb guiding rail.
 The guiding rail and corresponding coding pins are not scope of delivery

Mounting examples

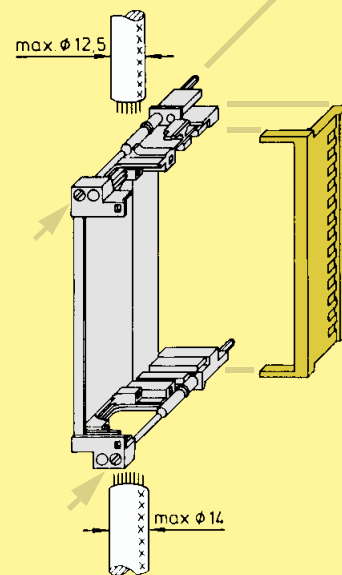
Dimensions in mm

Single fixing

Multiple fixing



Mounting example A²⁾
max. cable entry to the top



Mounting example B
max. cable entry to the bottom

Separate accessories for housings

Fitting female connectors

Fitting male connectors

Fixing brackets

Housing parts supplied

¹⁾ Specific coding between the fixing bracket and the pcb guiding rail

²⁾ Max. cable entry (ϕ 14 mm) from the bottom with fixing brackets 09 06 901 9924/...9925 possible. See page 20.32.