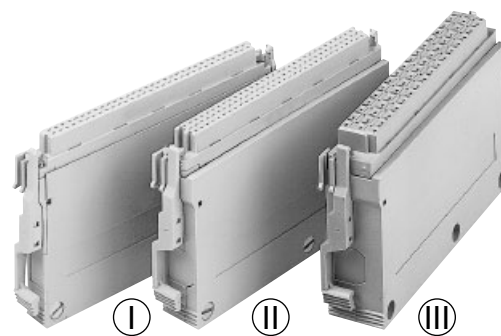


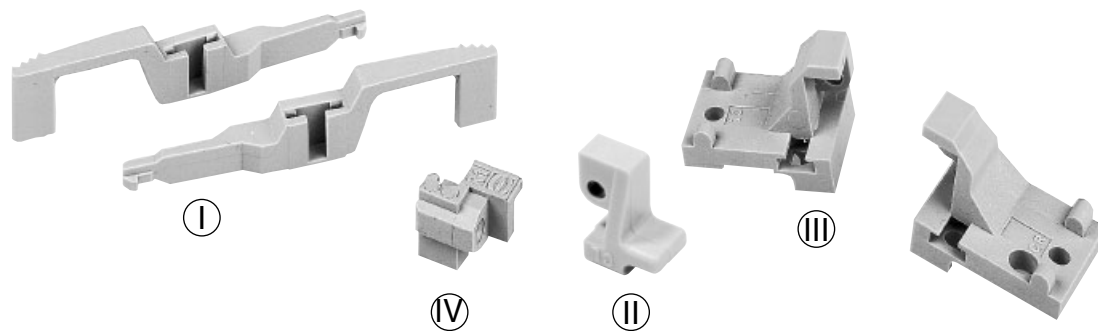
Shell housing C for types B, C, D, E and har-bus® 64



Identification	Part No.	Drawing	Dimensions in mm
Shell housing C for female connectors type B I	10 mm 09 02 064 0501		
	15 mm 09 02 064 0502		
Shell housing C for female connectors types C, D II	15 mm 09 03 096 0501		
Shell housing C for female connectors type E, har-bus® 64 III	20 mm 09 05 048 0501		
		1) Possible access for flat cable (18 x Ø 1.27). Remove the blanking piece.	

Shell housings

Shell housing C



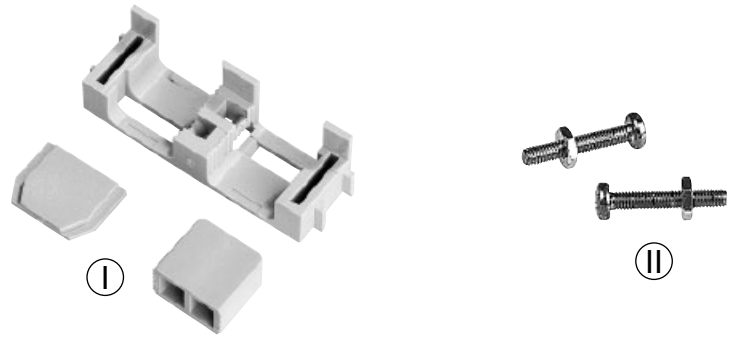
Accessories

Identification	Part No.	Drawing	Dimensions in mm
Locking lever for shell housing C I	left 09 02 000 9902 right 09 02 000 9903		
Fixing brackets C for male connectors for 19" racks according to DIN EN 60297, part 3-101 Multiple fixing II	left 09 02 000 9919 right 09 02 000 9920		
Single fixing III	left 09 02 000 9921 right 09 02 000 9922		
Fixing brackets R for inverse male connectors on pcb's IV	R 1 09 02 000 9953 R 32 09 02 000 9954		
Screw DIN ISO 7049 M 2.2 x 9.5	09 06 001 9974	See application example 4, chapter 01	

Shell housings

20
-
06

Shell housing C



Accessories

Identification	Part No.	Drawing	Dimensions in mm
Fixing brackets C for angled male connectors on pcb without fixing possibility in 19" racks	left 09 02 000 9926 ^{f)} right 09 02 000 9927 ^{f)}		
Round cable insert 2 x \varnothing 6.5 for shell housing C 09 02 064 0501 Supplied with: Round cable insert 1x Blinding piece A 1x Blinding piece B 1x Cable tie 1x	09 02 000 9910 ^{f)}		max. \varnothing 6.5 6.5 12
Round cable insert 2 x \varnothing 11.5 ① for shell housings C 09 02 064 0502 09 03 096 0501 09 05 048 0501 Supplied with: Round cable insert 1x Blinding piece A 1x Blinding piece B 1x Cable tie 1x	09 02 000 9911 ^{f)}		max. \varnothing 11.5 11.5 12
Locking screws ②	09 02 000 9909 ¹⁾		

Shell housings

¹⁾ Order 2 pieces for one shell housing
^{f)} Railway classification NFF 16-101, Smoke index: F1, Flammability class: I2