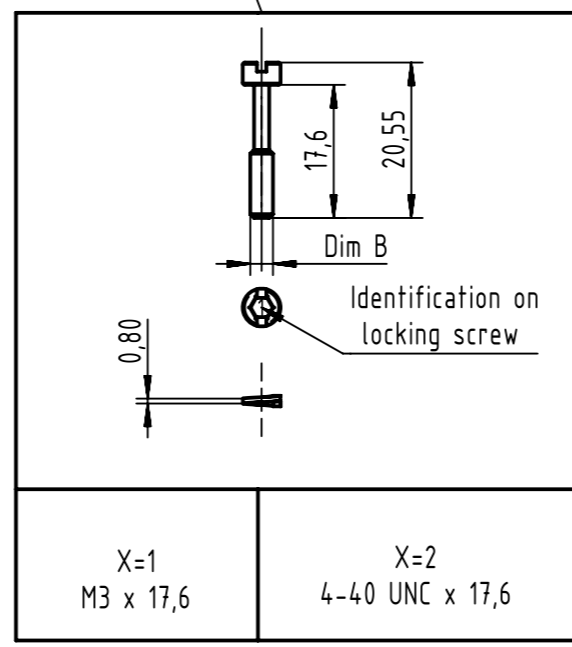
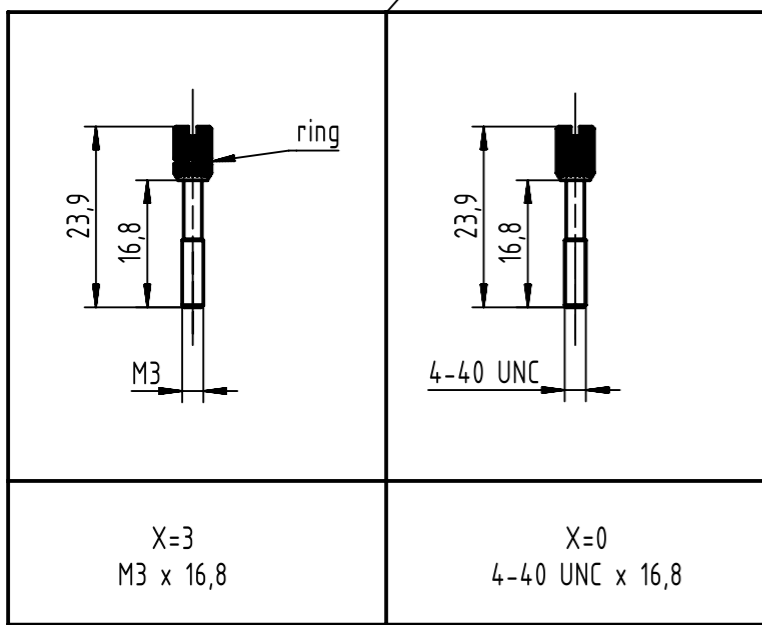


① For strain relief an additional InduCom cable clamp or a crimp flange and ferrule combination depending on the cable is necessary



Content InduCom hood			Spare parts (MOQ100)	
Pos.	Quantity	Description	Part Number	Quantity
01	1	metal hood		
02	1	metal cover		
03	2	locking screw (assembled):		
		either knurled thumb screws 4-40 UNC (for 0116)	0967 002 9018	1
		or hexagonal M3 with captive washer (for 1116)	0967 002 9019	1
		or hexagonal 4-40 UNC with captive washer (for 2116)	0967 002 9020	1
		or knurled thumb screws M3 (for 3116)	0967 002 9017	1
04	1	grounding screw (not assembled) for version with internal grounding block	0963 002 0007	1
05	4	cover screw M2,5 with philips head (not losable in cover)	0963 002 0006	1

6103 001 X016 YYY				
Part Number	Dim B screw size	Screw type	Identification for locking screw	Internal grounding block
6103 001 0016	4-40 UNC	Knurled thumb screw	Without ring	With internal grounding block
6103 001 1016	M3	Hexagonal screw with captive washer	1	
6103 001 2016	4-40 UNC	Hexagonal screw with captive washer	3	
6103 001 3016	M3	Knurled thumb screw	With ring	Without internal grounding block
6103 001 0016 010	4-40 UNC	Knurled thumb screw	Without ring	
6103 001 1016 010	M3	Hexagonal screw with captive washer	1	
6103 001 2016 010	4-40 UNC	Hexagonal screw with captive washer	3	
6103 001 3016 010	M3	Knurled thumb screw	With ring	

All Dimensions in mm
Original Size DIN A3

Scale 1:1

Free size tol.

Ref. Sub.

All rights reserved
Department EL PD

Created by SHENGJ

Inspected by WANGSTE

Standardisation HOFFMANN

Date 2019-07-18

State Final Release

Title InduCom hood 15P top side entry assembly

Type TB

Number 6103001X016

HARTING Electronics GmbH
D-32339 Espelkamp

Doc-Key / ECM-Nr.
100651947/UGD/000/A
500000130789

Rev. A

Page 1/1